

Aspire One 722 Series

Quick Guide



Product registration

When using your product for the first time, it is recommended that you immediately register it. This will give you access to some useful benefits, such as:

- Faster service from our trained representatives.
- Membership in the Acer community: receive promotions and participate in customer surveys.
- The latest news from Acer.

Hurry and register, as other advantages await you!

How to register

To register your Acer product, please visit **www.acer.com**. Select your country, click **PRODUCT REGISTRATION** and follow the simple instructions.

You will also be asked to register your product during the setup process, or you can double-click the Registration icon on the desktop.

After we receive your product registration, you will be sent a confirmation email with important data that you should keep in a safe place.

Obtaining Acer accessories

We are happy to inform you that Acer's warranty extension program and Notebook accessories are available online. Come and visit our online shop and find what you need at **store.acer.com**.

The Acer store is being progressively rolled out, and, unfortunately may not be available in some regions. Please check back regularly to see when it will be available in your country.

© 2012. All Rights Reserved.

Aspire One 722 Series Quick Guide
Original Issue: 01/2012

Model number: _____

Serial number: _____

Date of purchase: _____

Place of purchase: _____

Acer recommends...

Productivity Software

Work Great with Microsoft® Office 2010 - Express your ideas, solve problems and simplify everyday projects with Office 2010.

Photo editing - Easily edit and print your photos with Windows Live Photo Gallery. Then share them on Facebook, YouTube or Windows Live.

Search & Decide with Bing - Find and organize the answers you need using Bing™, so you can make faster, more informed decisions.

First things first

We would like to thank you for making an Acer notebook your choice for meeting your mobile computing needs.

Your guides

To help you use your Acer notebook, we have designed a set of guides:

First off, the **setup poster** helps you get started with setting up your computer.

The **Aspire One Generic User Guide** contains useful information applying to all models in the Aspire product series. It covers basic topics such as using the keyboard and audio, etc. Please understand that due to its nature, the **Generic User Guide** will occasionally refer to functions or features which are only contained in certain models of the series, but not necessarily in the model you purchased. Such instances are marked in the text with language such as "only for certain models".

The **Quick Guide** introduces you to the basic features and functions of your new computer. For more on how your computer can help you to be more productive, please refer to the **Aspire One Generic User Guide**. This guide contains detailed information on such subjects as system utilities, data recovery, expansion options and troubleshooting. In addition it contains warranty information and the general regulations and safety notices for your notebook. It is available in Portable Document Format (PDF) and comes preloaded on your notebook. Follow these steps to access it:

- 1 Click on  **Start > All Programs > AcerSystem**.
- 2 Click on **User Guide**.



.....

Note: Viewing the file requires Adobe Reader. If Adobe Reader is not installed on your computer, clicking on **User Guide** will run the Adobe Reader setup program first. Follow the instructions on the screen to complete the installation. For instructions on how to use Adobe Reader, access the **Help and Support** menu.


Your Acer notebook tour

After setting up your computer as illustrated in the **setup poster**, let us show you around your new Acer notebook.

Top view






#	Icon	Item	Description
1		Microphone	Internal microphone for sound recording.
2		Display screen	Also called Liquid-Crystal Display (LCD), displays computer output (configuration may vary by model).








#	Icon	Item	Description
3		Power button	Turns the computer on and off.
4		Keyboard	For entering data into your computer.
5		Touchpad	Touch-sensitive pointing device which functions like a computer mouse.
6		Status indicators	Light-Emitting Diodes (LED) that light up to show the status of the computer's functions and components.
7		Click buttons (left and right)	The left and right buttons function like the left and right mouse buttons.
8		Palmrest	Comfortable support area for your hands when you use the computer.
9		Integrated webcam	Web camera for video communication (configuration may vary by model).

Hotkeys

The computer employs hotkeys or key combinations to access most of the computer's controls like screen brightness and volume output.

To activate hotkeys, press and hold the <Fn> key before pressing the other key in the hotkey combination.

Hotkey	Icon	Function	Description
<Fn> + <F3>		Communication key	Enables/disables the computer's communication devices. (Communication devices may vary by configuration.)
<Fn> + <F4>		Sleep	Puts the computer in Sleep mode.
<Fn> + <F5>		Display toggle	Switches display output between the display screen, external monitor (if connected) and both.

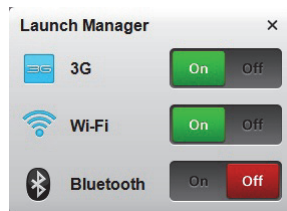
Hotkey	Icon	Function	Description
<Fn> + <F6>		Screen blank	Turns the display screen backlight off to save power. Press any key to return.
<Fn> + <F7>		Touchpad toggle	Turns the internal touchpad on and off.
<Fn> + <F8>		Speaker toggle	Turns the speakers on and off.
<Fn> + <F11>		Num Lock	When Num Lock is on, the embedded keypad is in numeric mode. The keys function as a calculator (complete with the arithmetic operators +, -, *, and /). Use this mode when you need to do a lot of numeric data entry. A better solution would be to connect an external keypad. <Fn> + <F11> only for certain models.
<Fn> + <F12>		Scroll Lock	When Scroll Lock is on, the screen moves one line up or down when you press the up or down arrow keys respectively. Scroll Lock does not work with some applications.
<Fn> + <D>		Brightness up	Increases the screen brightness.
<Fn> + <L>		Brightness down	Decreases the screen brightness.
<Fn> + <A>		Volume up	Increases the sound volume (only for certain models).
<Fn> + <V>		Volume down	Decreases the sound volume (only for certain models).

Using the communication key

Here you can enable and disable the various wireless connectivity devices on your computer.

Press <Fn> + <F3> to bring up the Launch Manager window panel.




A red toggle indicates the device is off. Click On to enable wireless/Bluetooth connection. Click Off to disable connection.



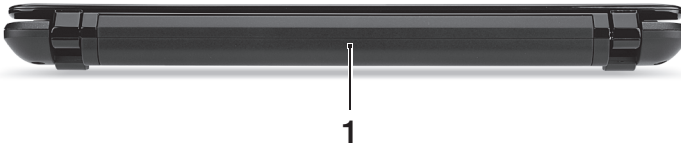
Note: Communication devices may vary by model.

Closed front view



#	Icon	Item	Description						
		Power indicator	Indicates the computer's power status.						
		Battery indicator	Indicates the computer's battery status. Charging: The light shows amber when the battery is charging. Fully charged: The light shows blue when in AC mode.						
1		Communication indicator	Indicates the status of 3G/Wireless LAN communication <table border="1"> <thead> <tr> <th>Blue light on</th> <th>Amber light on</th> <th>Not lit</th> </tr> </thead> <tbody> <tr> <td>3G on / Wi-Fi on</td> <td>3G off / Wi-Fi on</td> <td>3G off / Wi-Fi off</td> </tr> </tbody> </table>	Blue light on	Amber light on	Not lit	3G on / Wi-Fi on	3G off / Wi-Fi on	3G off / Wi-Fi off
Blue light on	Amber light on	Not lit							
3G on / Wi-Fi on	3G off / Wi-Fi on	3G off / Wi-Fi off							

Rear view

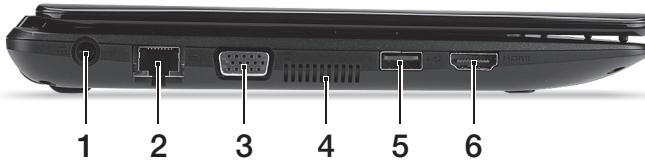






#	Item	Description
1	Battery bay	Houses the computer's battery pack.




Note: Your computer may be equipped with a different battery to the one in the picture.

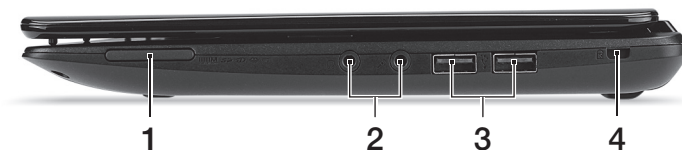
Left view








#	Icon	Item	Description
1		DC-in jack	Connects to an AC adapter.
2		Ethernet (RJ-45) port	Connects to an Ethernet 10/100 based network.
3		External display (VGA) port	Connects to a display device (e.g., external monitor, LCD projector).
4		Ventilation slots	Enable the computer to stay cool, even after prolonged use.
5		USB ports	Connect to USB devices (e.g., USB mouse, USB camera).

#	Icon	Item	Description
6		HDMI port	Supports high-definition digital video connections.


Right view



#	Icon	Item	Description
1		Multi-in-1 card reader	Accepts Secure Digital (SD), MultiMediaCard (MMC), Memory Stick PRO (MS PRO), xD-Picture Card (xD). Note: Push to remove/install the card. Only one card can operate at any given time.
2		Headphone/speaker/line-out jack	Connects to audio line-out devices (e.g., speakers, headphones).
		Microphone-in jack	Accepts inputs from external microphones.
3		USB ports	Connect to USB devices (e.g., USB mouse, USB camera).
4		Kensington lock slot	Connects to a Kensington-compatible computer security lock.

Base view



#	Icon	Item	Description
1		Battery release latch/ lock	Releases the battery for removal. Insert a suitable tool into the latch and slide to release.
2		3G SIM card slot	Accepts a 3G SIM card for 3G connectivity (only for certain models).
3		Battery bay	Houses the computer's battery pack.
4		Speaker	Emits audio from your computer.

Environment

- Temperature:
 - Operating: 5 °C to 35 °C
 - Non-operating: -20 °C to 65 °C
 - Humidity (non-condensing):
 - Operating: 20% to 80%
 - Non-operating: 20% to 80%
-

Using AT&T Mobile Broadband Network

How to Connect to AT&T Mobile Broadband Network

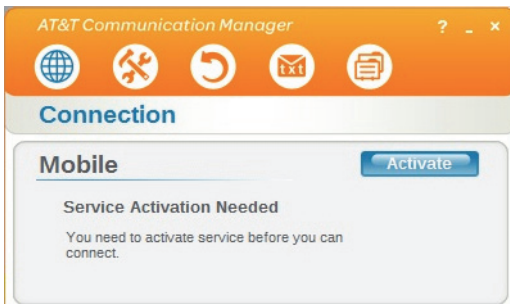
If your AT&T Mobile Broadband service was activated when you bought your computer, you'll enjoy network connectivity as soon as you turn your computer on.

If your AT&T service was not activated at the time of purchase, follow the instructions below to connect.



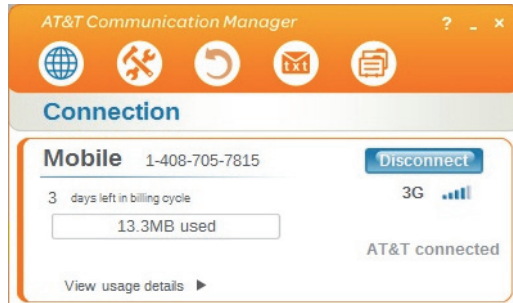
Tip: Your computer includes unlimited Wi-Fi usage on the AT&T Wi-Fi Hotspot network. Free Wi-Fi hotspot requires an active, unexpired DataConnect Plan. Access includes AT&T Wi-Fi Basic. Wi-Fi enabled device required. Other restrictions apply. See www.attwifi.com for details and locations.

1. To select and activate your DataConnect Pass Plan, tap **Activate** in the AT&T widget on your home screen.



2. Once connected to the secure website, select your preferred DataConnect Pass Plan and activate your service. You will need a debit or credit card to activate service.
3. You will receive a text message or email confirming your service has started.

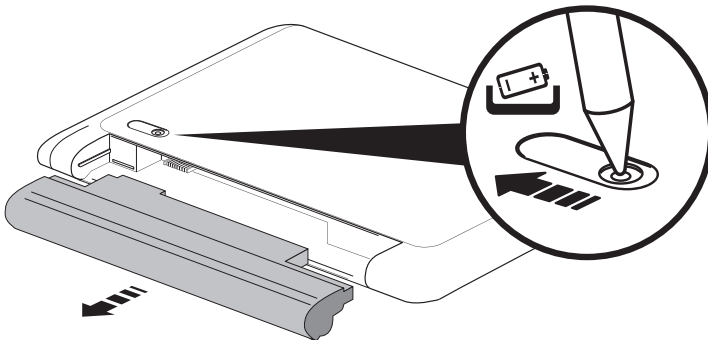
The time/data plan you purchased starts counting down immediately after activation.



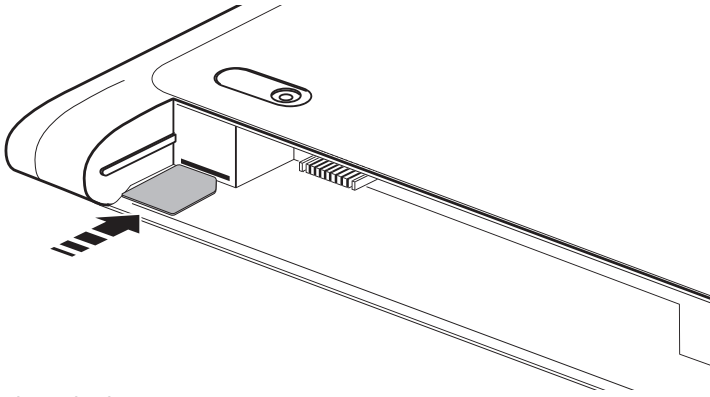
Installing a SIM card

Certain computers include a SIM slot for Internet access. To take full advantage of your computer's Internet capabilities, you should install a SIM card with data subscription *before* turning on your computer.

1. Turn off the computer from the Start menu.
2. Remove the battery as shown.



3. Insert the SIM card as shown.



4. Replace the battery.



.....
Note: Ensure that the SIM card is inserted all the way into the card slot.



.....
Caution: Turn off your computer before installing or removing a SIM card. You may damage the card or your computer if power it still on.

SIM card lock

Your computer may come with a SIM card lock, i.e., you will only be able to use the SIM card provided by your network operator.

To cancel the SIM lock, contact your network provider.

Sources of help

For information on:	Refer to:
Up-to-date information regarding your computer	www.acer.com
Service enquiries	support.acer.com
AT&T support	www.att.com/esupport
AT&T 4G access	www.att.com/network
AT&T Wi-Fi Basic	www.attwifi.com

Legal notices

AT&T Mobile Broadband Network

The AT&T 4G broadband network (HSPA+ with enhanced backhaul) is available in limited areas. Availability is increasing with ongoing backhaul deployment.



Note: 4G speeds delivered by HSPA+ with enhanced backhaul. Not available everywhere. Deployment ongoing. Compatible data plan required. Learn more at att.com/network.

Trademarks

AT&T and the AT&T logo are trademarks of AT&T Intellectual Property and/or AT&T affiliated companies. All other marks contained herein are the property of their respective owners.