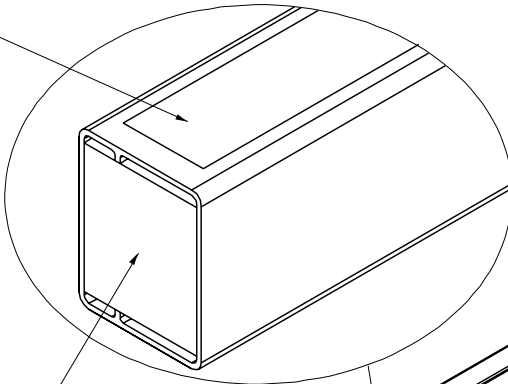
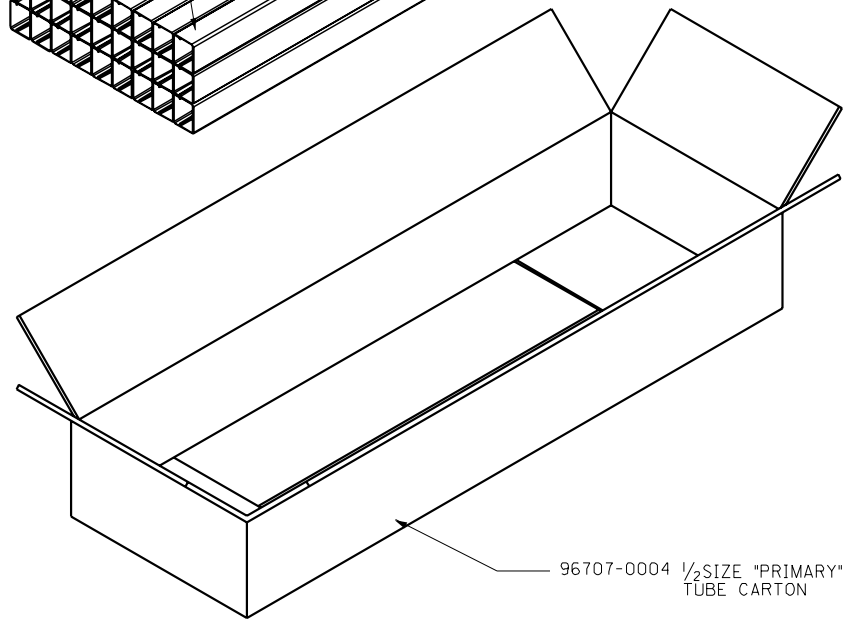
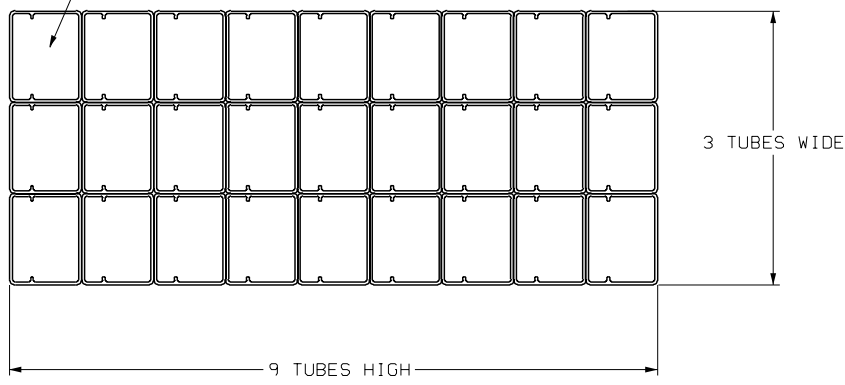
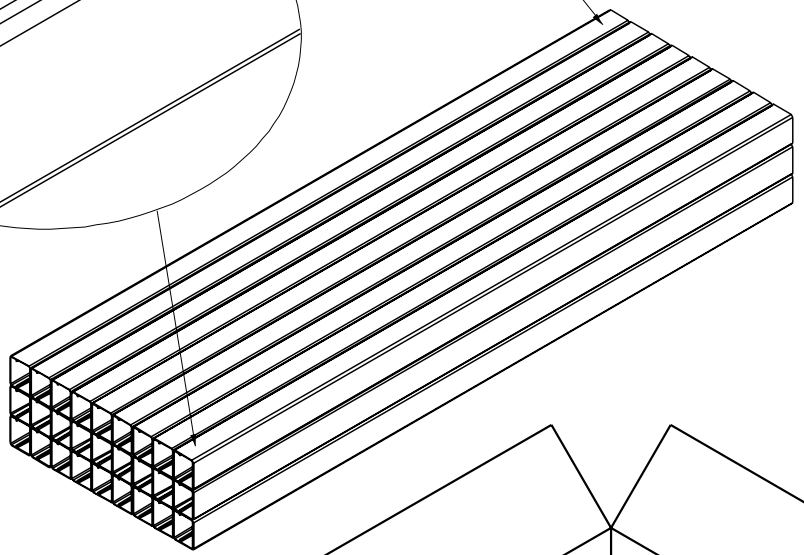


LABEL 73728-0000
SEE NOTE 6



70067-0282

70892-0064
SEE NOTE 3 & 5



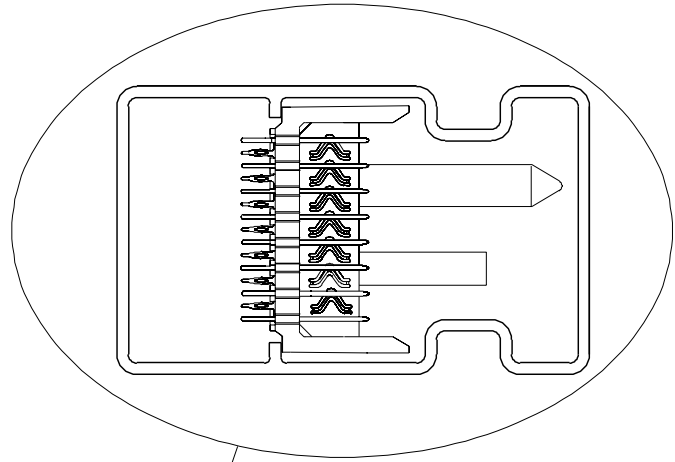
96707-0004 1/2 SIZE "PRIMARY" TUBE CARTON

NOTES:

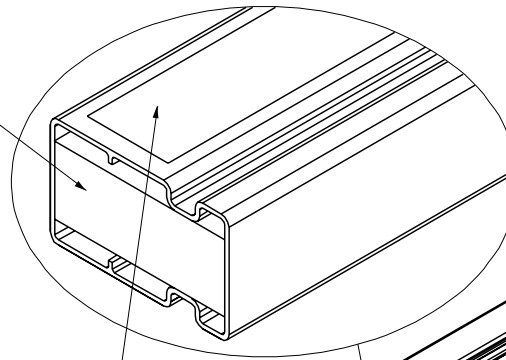
1. STAPLES MUST BE USED TO SET UP CARTONS. CARTON CLOSURES MUST BE DONE WITH TAPE.
2. PARTS TO BE LOADED INTO 70067-0282 TUBES AS SHOWN IN PART ORIENTATION DETAIL.
3. AFTER FILLING TUBES, 70892-0064 END PLUGS MUST BE INSERTED INTO BOTH ENDS. ASSEMBLED TUBE LENGTHS MUST NOT EXCEED 562 MILLIMETERS.
4. TUBES MUST BE LOADED INTO 96707-0004 CARTON AS SHOWN.
5. TAPE ENDS OF TUBE TO SECURE END PLUGS.
6. MARK CUSTOM LABEL PART NUMBER 73728-0000 WITH PART NUMBER AND DATE CODE. PLACE ONE LABEL PER TUBE APPROXIMATELY WHERE SHOWN.

COLUMNS	PARTS PER TUBE	TUBES PER CARTON	PARTS PER CARTON
10 OPEN END	27	27	729
10 SIGNAL OR SHIELD END	19		513
25 OPEN END	10		270
25 SIGNAL OR SHIELD END	9		243

REVISED EC NO. UDT2001_0642 DRAWN: MOWANG 00/12/26 CHK: JLAURX 01/01/02 APPR: CBIXLER 01/01/02	DESCRIPTION MAJOR ▽ = 0 CRITICAL ▽ = 0	QUALITY SYMBOLS	GENERAL TOLERANCES: (UNLESS SPECIFIED)	SCALE N/A	DESIGN UNITS <input checked="" type="checkbox"/> mm <input type="checkbox"/> INCH	DIMENSIONS: <input type="checkbox"/> mm <input type="checkbox"/> INCH <input checked="" type="checkbox"/> mm ONLY	SHT	REV	
		4 PLACES ±0. - - ±. - -	mm INCH	DRAWN BY & DATE MOWANG 07/07/99	THIRD ANGLE PROJECTION	TITLE: PACKAGING SPECIFICATIONS FOR VHDM BP 8-ROW OPEN ENDS HEADERS	REVISE ON CAD ONLY		
		3 PLACES ±0. - - ±. - -	mm INCH	CHECKED BY & DATE JLAURX 07/10/99		APPROVED BY & DATE CBIXLER 07/12/99	MATERIAL NO. 74060-003	DRAWING NO. PK-74060-003	SHEET NO. 1 OF 1
		2 PLACES ±0. - - ±. - -	mm INCH	APPROVED BY & DATE CBIXLER 07/12/99		CAD FILENAME 74060-003.DGN			SIZE C
1 PLACE ±0. - - ±. - -	mm INCH	ANGULAR: ± - - °							
DRAFT WHERE APPLICABLE MUST REMAIN WITHIN DIMENSIONS		THIS DRAWING CONTAINS INFORMATION THAT IS PROPRIETARY TO MOLEX INCORPORATED AND SHOULD NOT BE USED WITHOUT WRITTEN PERMISSION.							

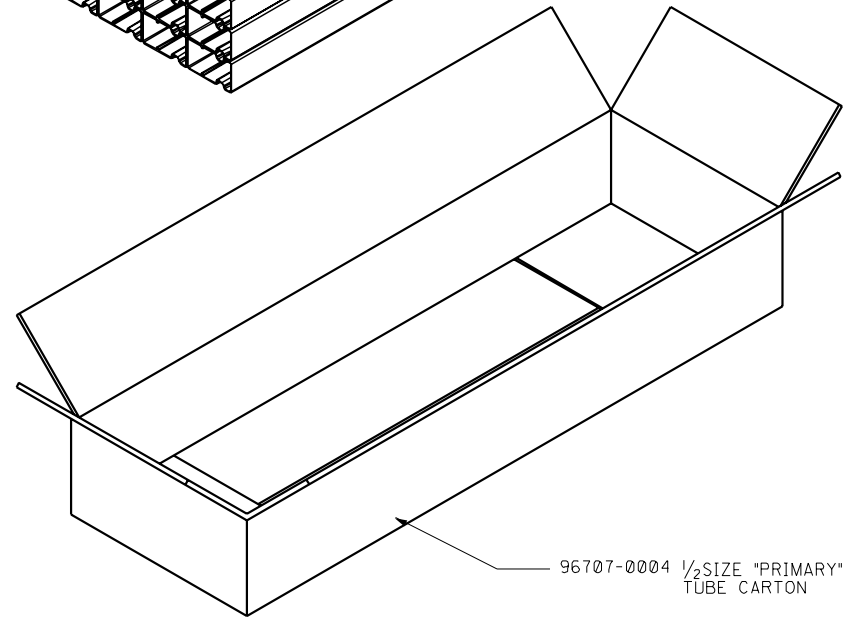
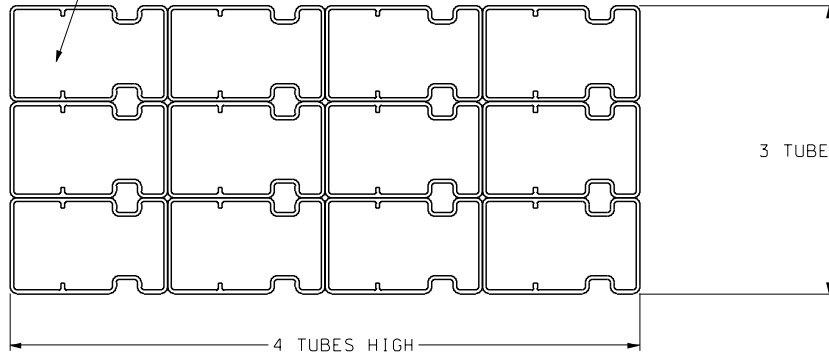
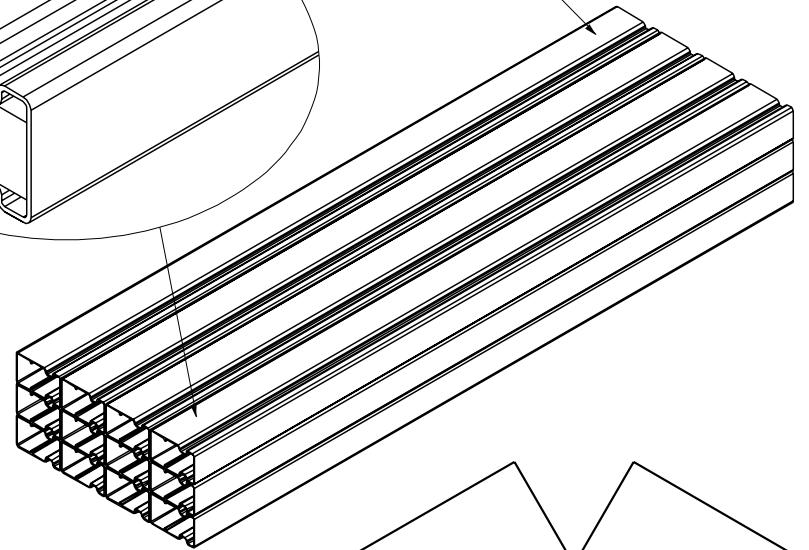


70892-0062
SEE NOTE 3 & 5



70067-0283

LABEL 73728-0000
SEE NOTE 6



- NOTES:**
1. STAPLES MUST BE USED TO SET UP CARTONS. CARTON CLOSURES MUST BE DONE WITH TAPE.
 2. PARTS TO BE LOADED INTO 70067-0283 TUBES AS SHOWN IN PART ORIENTATION DETAIL.
 3. AFTER FILLING TUBES, 70892-0062 END PLUGS MUST BE INSERTED INTO BOTH ENDS. ASSEMBLED TUBE LENGTHS MUST NOT EXCEED 562 MILLIMETERS.
 4. TUBES MUST BE LOADED INTO 96707-0004 CARTON AS SHOWN.
 5. TAPE ENDS OF TUBE TO SECURE END PLUGS.
 6. MARK CUSTOM LABEL PART NUMBER 73728-0000 WITH PART NUMBER AND DATE CODE. PLACE ONE LABEL PER TUBE APPROXIMATELY WHERE SHOWN.

COLUMNS	PARTS PER TUBE	TUBES PER CARTON	PARTS PER CARTON
10	19	12	228
25	9		108

REVISED EC NO. UDT2000-0373 DRAWN: MOWANG 99/10/18 CHK: JLAURX 99/10/19 APPR: CBIXLER 99/10/21	DESCRIPTION	QUALITY SYMBOLS	GENERAL TOLERANCES: (UNLESS SPECIFIED)		SCALE	DESIGN UNITS	THIRD ANGLE PROJECTION	DIMENSIONS:		SHT	REV
		MAJOR ▽ = 0	mm	INCH	N/A	mm <input checked="" type="checkbox"/> INCH <input type="checkbox"/>		<input type="checkbox"/> mm <input type="checkbox"/> INCH <input checked="" type="checkbox"/>	<input type="checkbox"/> mm ONLY	REVISE ON CAD ONLY	
		CRITICAL ∇ = 0	4 PLACES ±0. --- ±. ---	3 PLACES ±0. --- ±. ---	2 PLACES ±0. --- ±. ---	1 PLACE ±0. --- ±. ---		DRAWN BY & DATE MOWANG 07/07/99		TITLE: PACKAGING SPECIFICATIONS FOR VHDM BP 8-ROW WITH GUIDE PIN HEADER	
		ANGULAR: ± -- °	APPROVED BY & DATE CBIXLER 07/07/99		MATERIAL NO. 74061-0030			DRAWING NO. PK-74061-003		SHEET NO. 1 OF 1	
REV		DRAFT WHERE APPLICABLE MUST REMAIN WITHIN DIMENSIONS		THIS DRAWING CONTAINS INFORMATION THAT IS PROPRIETARY TO MOLEX INCORPORATED AND SHOULD NOT BE USED WITHOUT WRITTEN PERMISSION.							