



2.00 by 2.25mm
(.079 by .089") Pitch
VHDM®

Module-to-Backplane Connector

Daughtercards

The VHDM daughtercard components are loaded onto a stiffener according to customer specifications. The following drawing, SD 74041-0001 depicts an example of ten (8-row) VHDM wafers on a stiffener. This is only an example.

The four basic elements of a VHDM daughter card assembly include:

- 1) A length of stiffener cut to a dimension as specified by the individual customer application.
- 2) Grouping of signal wafers. These are typically grouped in a number corresponding to the 10 or 25 column backplane modules. Customers may also specify gaps or an unpopulated expanse of stiffener.
- 3) Power modules. Each power module is capable of carrying 10 AMPS per blade, 20 AMPS on a 6 row module or 30 AMPS on a 8 row module.
- 4) Guide modules. Molex suggests a minimum of one guide module on each assembly. As a general rule Molex also suggests 2 guide modules on an assembly of 100 mm or more. Extra care should be taken to allow for additional modules on larger or heavy cards. Please contact the Molex VHDM Design Team for any design with a card weight exceeding eight pounds.

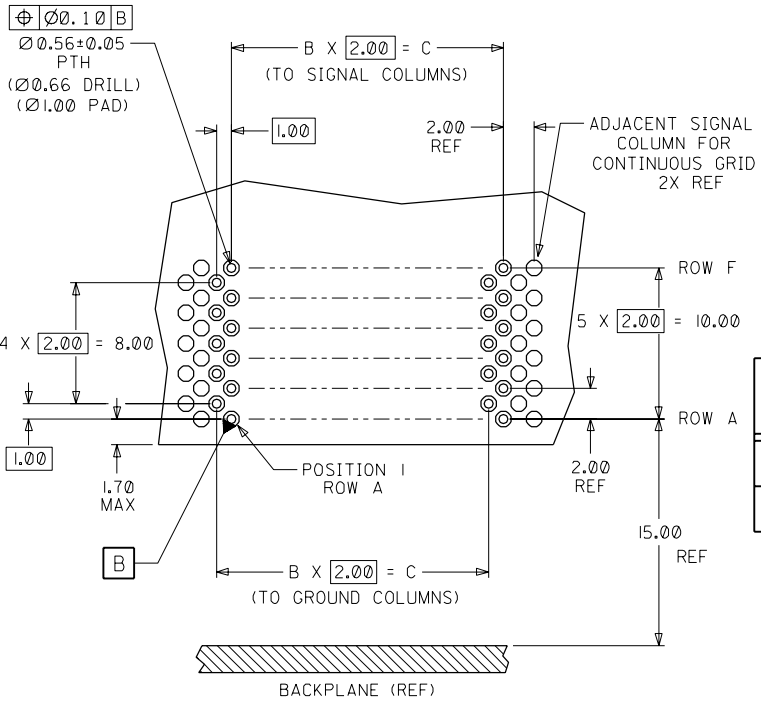
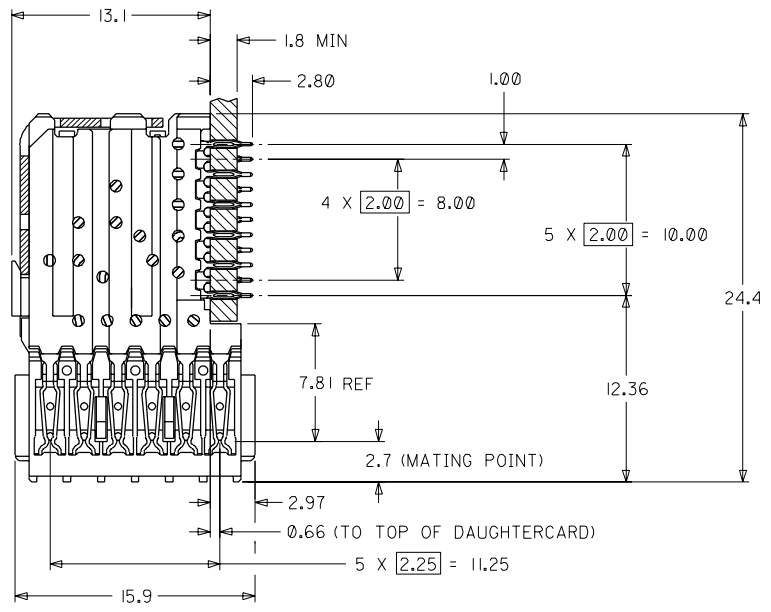
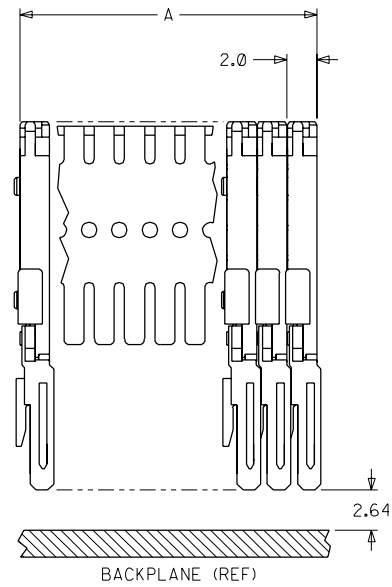
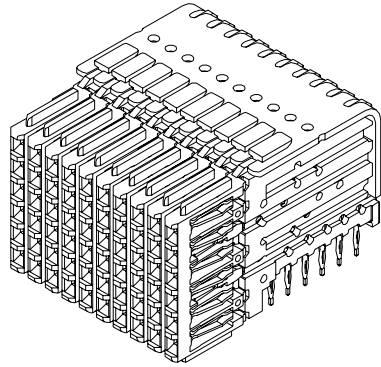
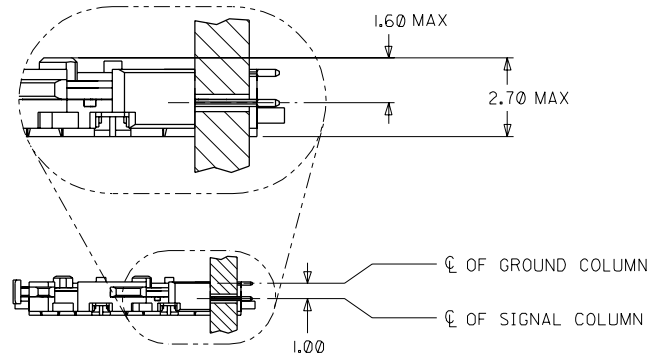
The maximum length of an individual VHDM daughtercard is 300 mm. For customer applications requiring a daughtercard connection greater than 300 mm a joiner module can be used. Joiner modules attached two individual daughtercard connectors after they are pressed into the board. Joiner modules are available in 3 sizes, 6 mm, 10 mm and 14 mm. The default size is 14 mm which provides maximum mechanical stability when joining large daughtercard connectors. When linear space constraints exist a 10 mm joiner option is available.

The 6 mm joiner/grounding guide module is intended primarily for the option of grounding the stiffener to the board. This grounding guide module contains a round louver contact system that contacts the stand alone guide pin. See the following drawings 74039-009 (6 row) and 74039-012 (8 row) for details. The grounding guide module has a yellow chromate finish and can only be used with a 74076 series (stand alone guide pin) for grounding purposes.

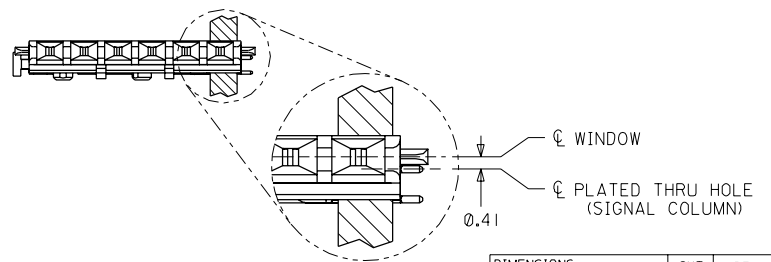
NOTES: (UNLESS OTHERWISE SPECIFIED)

1. MATERIALS: HOUSING - LIQUID CRYSTAL POLYMER (LCP), GLASS-FILLED, UL94V-0. TERMINALS - HIGH PERFORMANCE COPPER ALLOY.
2. FINISH: SELECTIVE GOLD (Au) IN CONTACT AREA, SELECTIVE TIN/LEAD (Sn/Pb) ON PCB TAILS, NICKEL (Ni) OVERALL.
3. REFER TO MOLEX PRODUCT SPECIFICATION PS-74031-999 FOR PERFORMANCE SPECIFICATIONS.
4. SIGNAL WAFERS SUPPLIED ON STAINLESS STEEL STIFFENER IN GROUPS OF 10 OR 25 ONLY.

MATERIAL NUMBER	MINIMUM GOLD PLATING	WAFER PLASTIC COLOR
74031-0001	0.00076mm (30uIN)	BLACK
74031-0051	0.00127mm (50uIN)	GRAY



NUMBER OF SIGNAL WAFERS	A	B	C
10	20.0	9	18.00
25	50.0	24	48.00



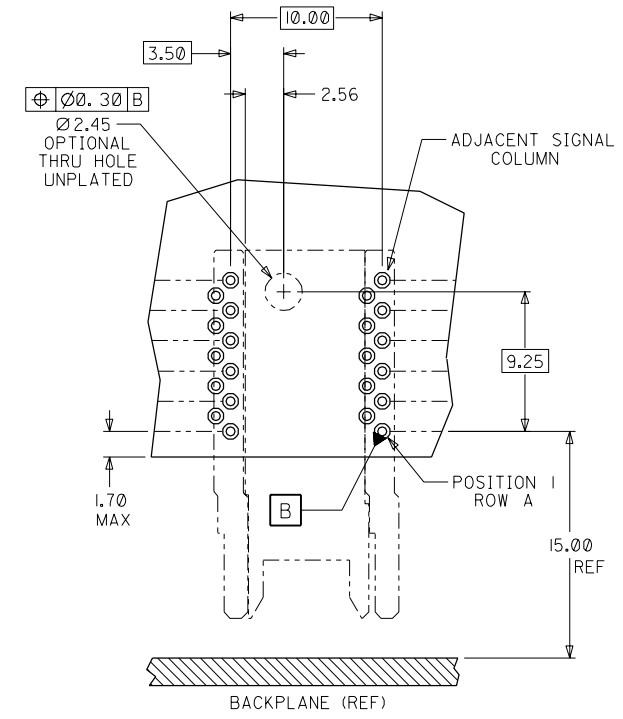
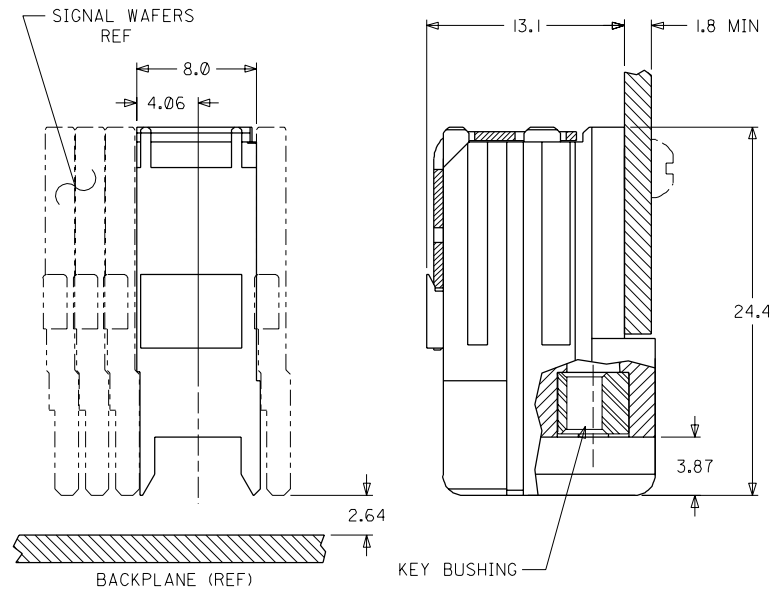
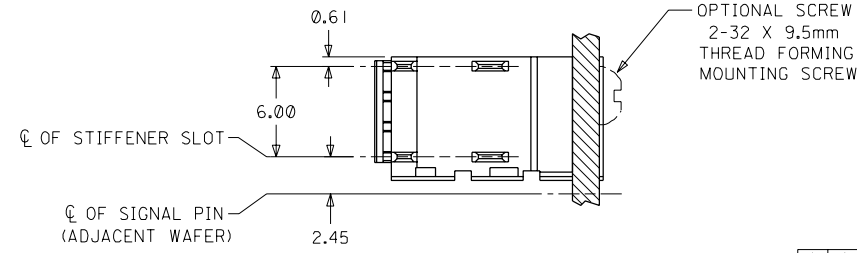
DAUGHTERCARD HOLE PATTERN (CONNECTOR SIDE)

ADD -0051 PART EC NO. UDT2001-1132 DRWN: LAURX 01/04/18 CHK: MARTIN 01/04/18 APPR: BIXLER 01/04/18	QUALITY SYMBOLS MAJOR = 0 CRITICAL = 0	GENERAL TOLERANCES: (UNLESS SPECIFIED)	SCALE 4 : 1	DESIGN UNITS <input checked="" type="checkbox"/> mm <input type="checkbox"/> INCH	DIMENSIONS: <input type="checkbox"/> mm <input type="checkbox"/> INCH <input checked="" type="checkbox"/> mm ONLY		SHT	REV
		4 PLACES ±0. -- ±. -- 3 PLACES ±0. -- ±. -- 2 PLACES ±0.13 ±. -- 1 PLACE ±0.25 ±. --	mm INCH	DRAWN BY & DATE LAURX 98/10/19	THIRD ANGLE PROJECTION		REVISE ON CAD ONLY	
REV	DESCRIPTION	ANGULAR: ± 2°	CHECKED BY & DATE MQWANG 98/10/19		TITLE: VHDM DAUGHTERCARD 6 ROW SIGNAL WAFER SALES DRAWING			
		DRAFT WHERE APPLICABLE MUST REMAIN WITHIN DIMENSIONS	APPROVED BY & DATE BIXLER 98/10/19		MATERIAL NO. SEE CHART		DRAWING NO. SD-74031-002	
		CAD FILENAME S7403102.DGN		MATERIAL NO. SEE CHART		DRAWING NO. SD-74031-002		SIZE C

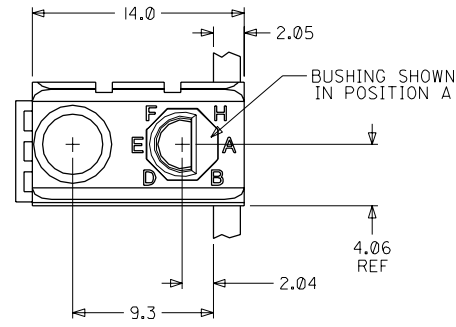
THIS DRAWING CONTAINS INFORMATION THAT IS PROPRIETARY TO MOLEX INCORPORATED AND SHOULD NOT BE USED WITHOUT WRITTEN PERMISSION.

NOTES: (UNLESS OTHERWISE SPECIFIED)

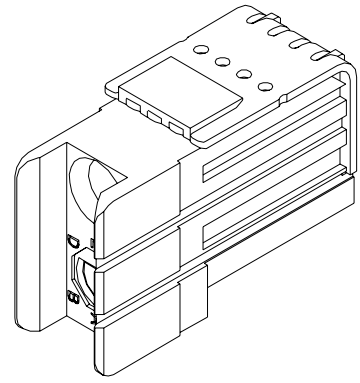
1. MATERIALS: HOUSING - LIQUID CRYSTAL POLYMER (LCP), GLASS-FILLED, UL94V-0, BLACK.
KEY BUSHING - STAINLESS STEEL.
2. FINISH: NONE.
3. REFER TO MOLEX PRODUCT SPECIFICATION PS-74031-999 FOR PERFORMANCE SPECIFICATIONS.



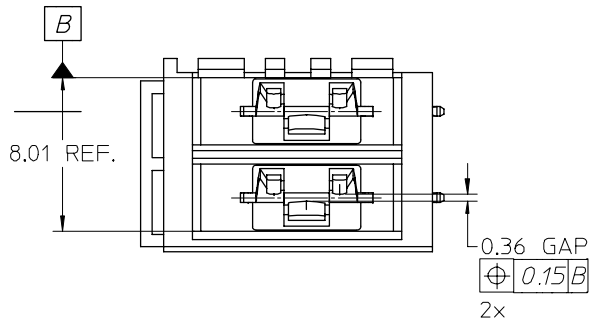
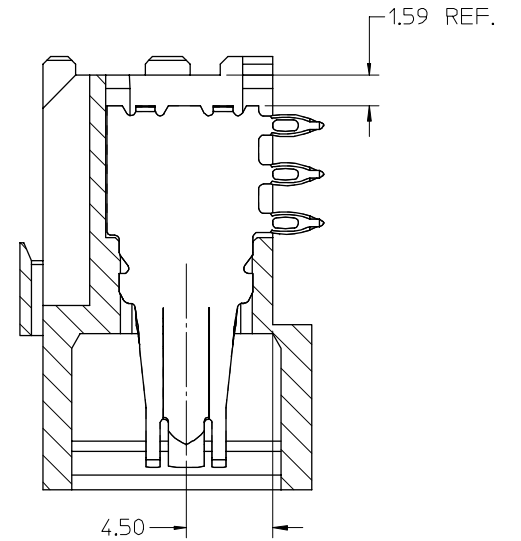
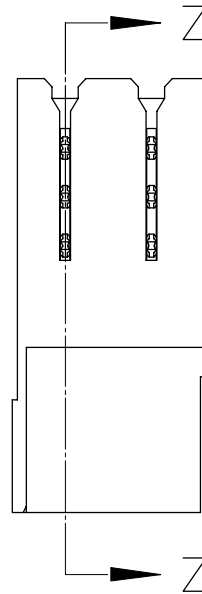
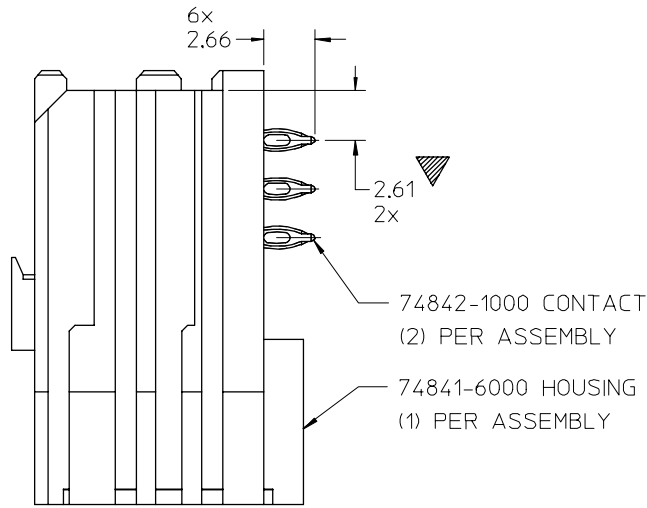
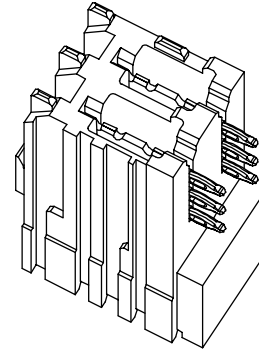
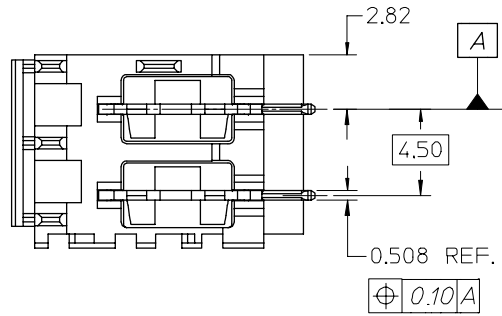
DAUGHTERCARD HOLE PATTERN (CONNECTOR SIDE)



MATERIAL NUMBER	BUSHING CLOCK POSITION	
74037-0006	NONE	
74037-6001	A	
74037-6002	B	
74037-6003	C	
74037-6004	D	
74037-6005	E	
74037-6006	F	
74037-6007	G	
74037-6008	H	



INITIAL RELEASE EC NO. UDT 1999-0291 DRWN: LAURX 98/10/19 CHK: MQWANG 98/10/19 APPR: BIXLER 98/10/19	QUALITY SYMBOLS MAJOR CRITICAL	GENERAL TOLERANCES: (UNLESS SPECIFIED)		SCALE 4 : 1	DESIGN UNITS <input checked="" type="checkbox"/> mm <input type="checkbox"/> INCH	THIRD ANGLE PROJECTION	DIMENSIONS: <input type="checkbox"/> mm <input type="checkbox"/> INCH <input checked="" type="checkbox"/> mm ONLY		SHT	REV			
		4 PLACES ±0. -- ±. --	3 PLACES ±0. -- ±. --	2 PLACES ±0.13 ±. --	1 PLACE ±0.25 ±. --		DRAWN BY & DATE LAURX 98/10/19		TITLE: VHDM DAUGHTERCARD 6 ROW GUIDE MODULE SALES DRAWING		MATERIAL NO. SEE CHART	DRAWING NO. SD-74037-005	SHEET NO. 1 OF 1
		ANGULAR: ± 2°			CHECKED BY & DATE MQWANG 98/10/19		APPROVED BY & DATE BIXLER 98/10/19		MOLEX INCORPORATED				
		DRAFT WHERE APPLICABLE MUST REMAIN WITHIN DIMENSIONS					CAD FILENAME S7403705.DGN				THIS DRAWING CONTAINS INFORMATION THAT IS PROPRIETARY TO MOLEX INCORPORATED AND SHOULD NOT BE USED WITHOUT WRITTEN PERMISSION.		

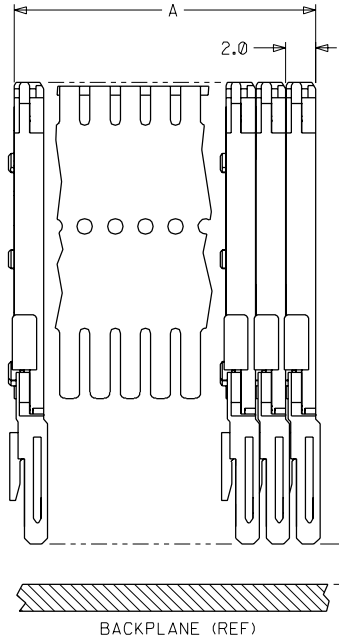
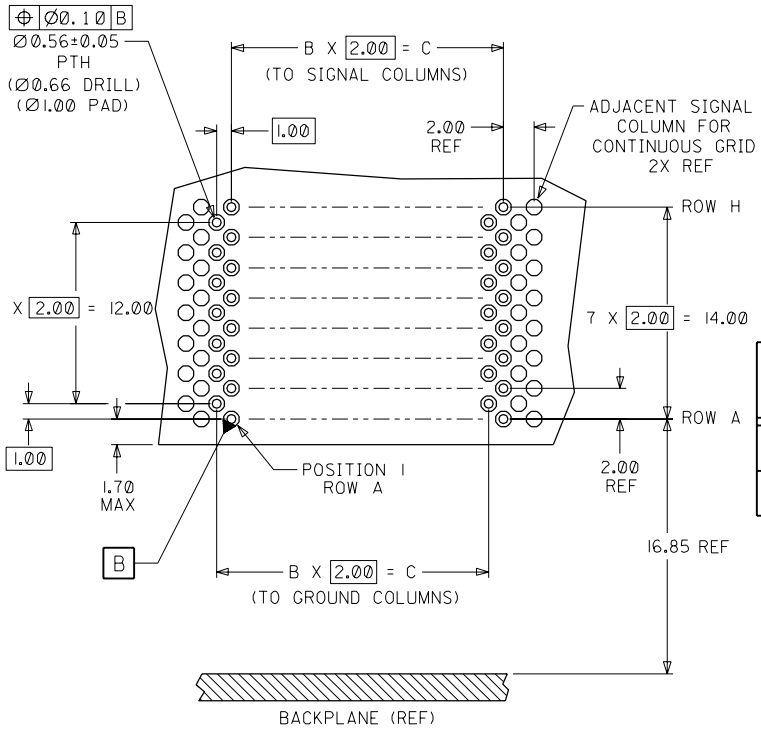
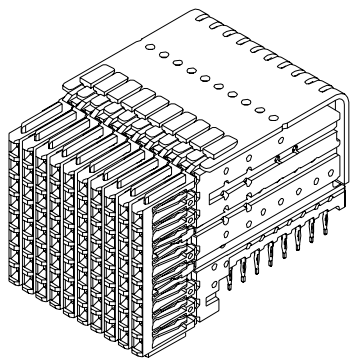
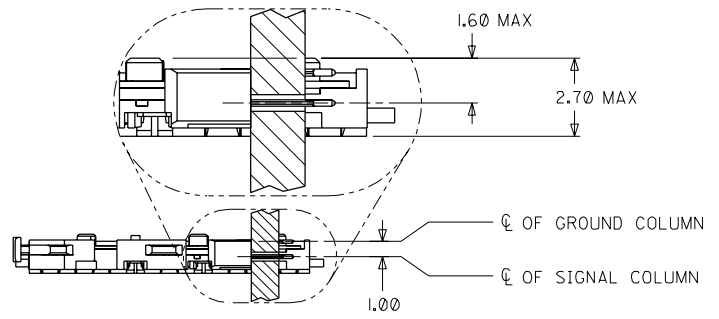


DIMENSIONAL INFO. EC NO: UCP2003-0809 DRWN: TELO 2002/11/19 CHKD: TELO 2002/11/19 APPR: CBIXLER 2002/11/20	QUALITY SYMBOLS ▽ = 1 ▽ = 0	GENERAL TOLERANCES (UNLESS SPECIFIED)		SCALE 4:1	DESIGN UNITS METRIC	THIRD ANGLE PROJECTION	REVISE ON CAD ONLY	
		4 PLACES ± --- ± --- 3 PLACES ± --- ± --- 2 PLACES ± 0.08 ± --- 1 PLACE ± 0.15 ± ---	DIMENSION STYLE MM ONLY	TITLE VHDM POWER 6 ROW DAUGHTERCARD ASSEMBLY - EMC				
		DRAFT WHERE APPLICABLE MUST REMAIN WITHIN DIMENSIONS		DRAWN BY ELO	DATE 2001/01/19	MOLEX INCORPORATED		
				CHECKED BY ELO	DATE 2001/01/19	MATERIAL NO. 74026-2010	DOCUMENT NO. E-74026-001	SHEET NO. 1 OF 1

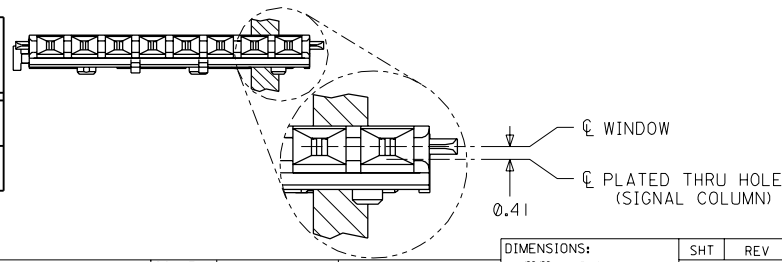
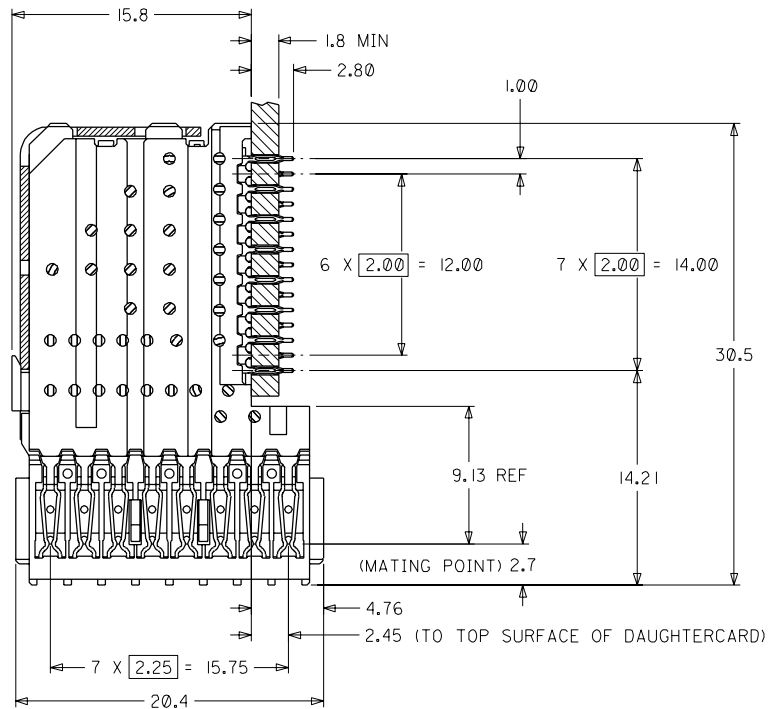
NOTES: (UNLESS OTHERWISE SPECIFIED)

- MATERIALS: HOUSING - LIQUID CRYSTAL POLYMER (LCP), GLASS-FILLED, UL94V-0. TERMINALS - HIGH PERFORMANCE COPPER ALLOY.
- FINISH: SELECTIVE GOLD (Au) IN CONTACT AREA, SELECTIVE TIN/LEAD (Sn/Pb) ON PCB TAILS NICKEL (Ni) OVERALL.
- REFER TO MOLEX PRODUCT SPECIFICATION PS-74031-999 FOR PERFORMANCE SPECIFICATIONS.
- SIGNAL WAFERS SUPPLIED ON STAINLESS STEEL STIFFENER IN GROUPS OF 10 OR 25 ONLY.

MATERIAL NUMBER	MINIMUM GOLD PLATING	WAFER PLASTIC COLOR
74041-0001	0.00076mm (30uIN)	BLACK
74041-0051	0.00127mm (50uIN)	GRAY



NUMBER OF SIGNAL WAFERS	A	B	C
10	20.0	9	18.00
25	50.0	24	48.00



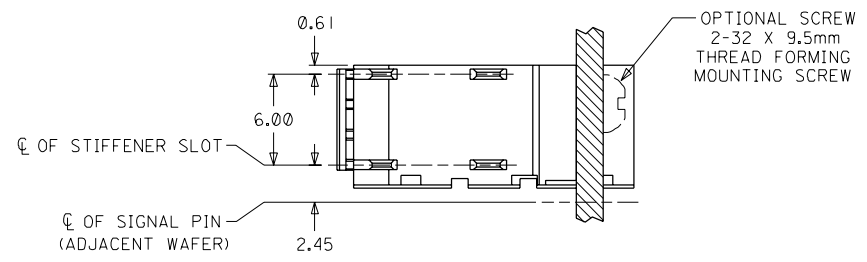
DAUGHTERCARD HOLE PATTERN (CONNECTOR SIDE)

ADD -0051 PART EC NO. UDT2001-1132 DRWN: LAURX 01/04/18 CHK: MARTIN 01/04/18 APPR: BIXLER 01/04/18	QUALITY SYMBOLS MAJOR = 0 CRITICAL = 0	GENERAL TOLERANCES: (UNLESS SPECIFIED) mm INCH 4 PLACES ±0. -- ±. -- 3 PLACES ±0. -- ±. -- 2 PLACES ±0.13 ±. -- 1 PLACE ±0.25 ±. -- ANGULAR: ± 2°	SCALE 4 : 1 DESIGN UNITS <input checked="" type="checkbox"/> mm <input type="checkbox"/> INCH DRAWN BY & DATE LAURX 98/10/19 CHECKED BY & DATE MQWANG 98/10/19 APPROVED BY & DATE BIXLER 98/10/19	DIMENSIONS: <input type="checkbox"/> mm <input type="checkbox"/> INCH <input checked="" type="checkbox"/> mm ONLY SHT REV REVISE ON CAD ONLY
	CAD FILENAME S7404102.DGN	MATERIAL NO. SEE CHART	DRAWING NO. SD-74041-002	SHEET NO. 1 OF 1 SIZE C

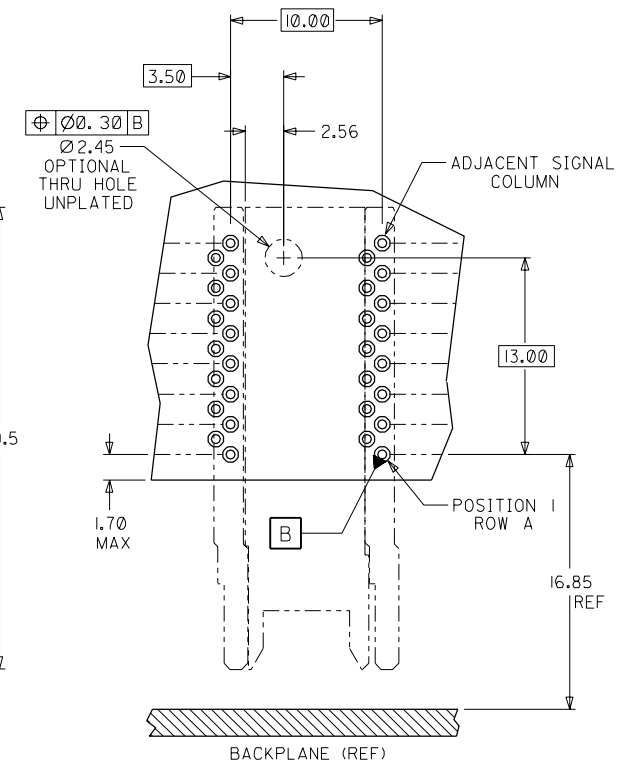
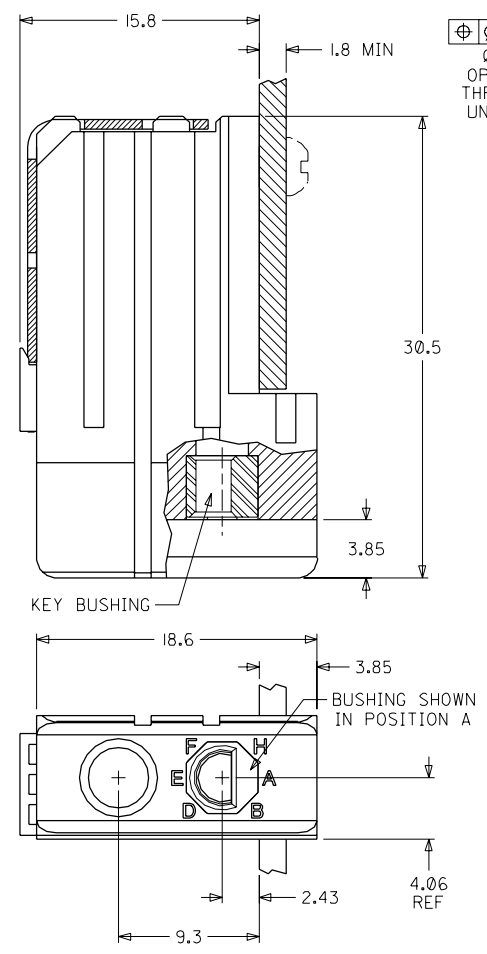
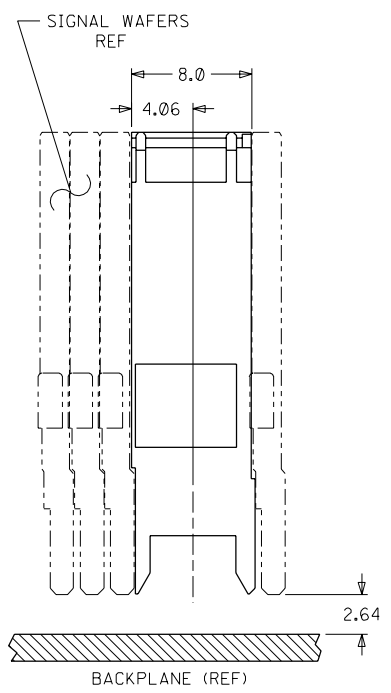
TITLE: VHDM DAUGHTERCARD 8 ROW SIGNAL WAFER SALES DRAWING
MOLEX MOLEX INCORPORATED
 THIS DRAWING CONTAINS INFORMATION THAT IS PROPRIETARY TO MOLEX INCORPORATED AND SHOULD NOT BE USED WITHOUT WRITTEN PERMISSION.

NOTES: (UNLESS OTHERWISE SPECIFIED)

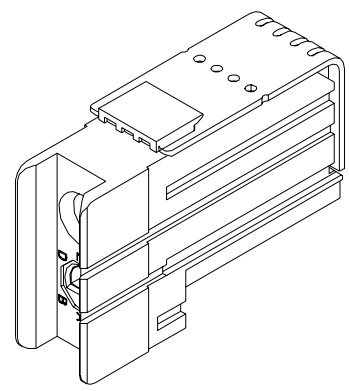
1. MATERIALS: HOUSING - LIQUID CRYSTAL POLYMER (LCP), GLASS-FILLED, UL94V-0, BLACK.
KEY BUSHING - STAINLESS STEEL.
2. FINISH: NONE.
3. REFER TO MOLEX PRODUCT SPECIFICATION PS-74031-999 FOR PERFORMANCE SPECIFICATIONS.



MATERIAL NUMBER	BUSHING CLOCK POSITION	
74037-0008	NONE	
74037-8001	A	
74037-8002	B	
74037-8003	C	
74037-8004	D	
74037-8005	E	
74037-8006	F	
74037-8007	G	
74037-8008	H	

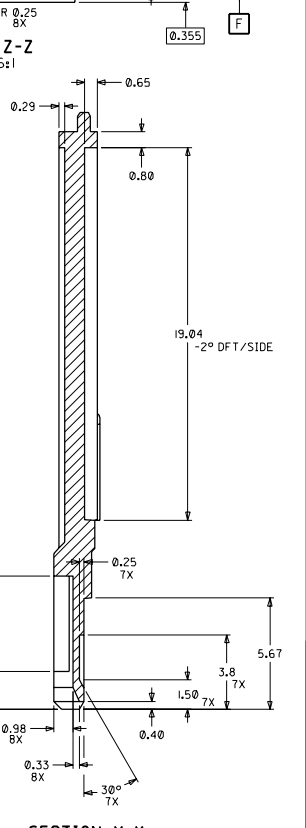
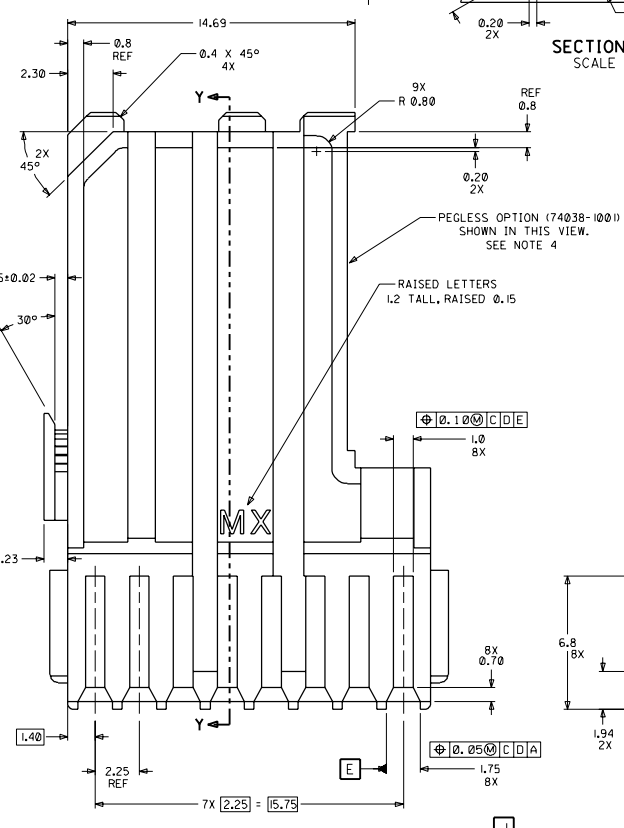
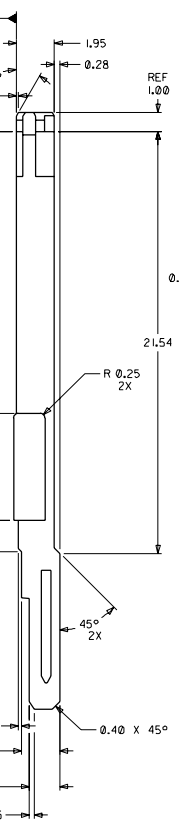
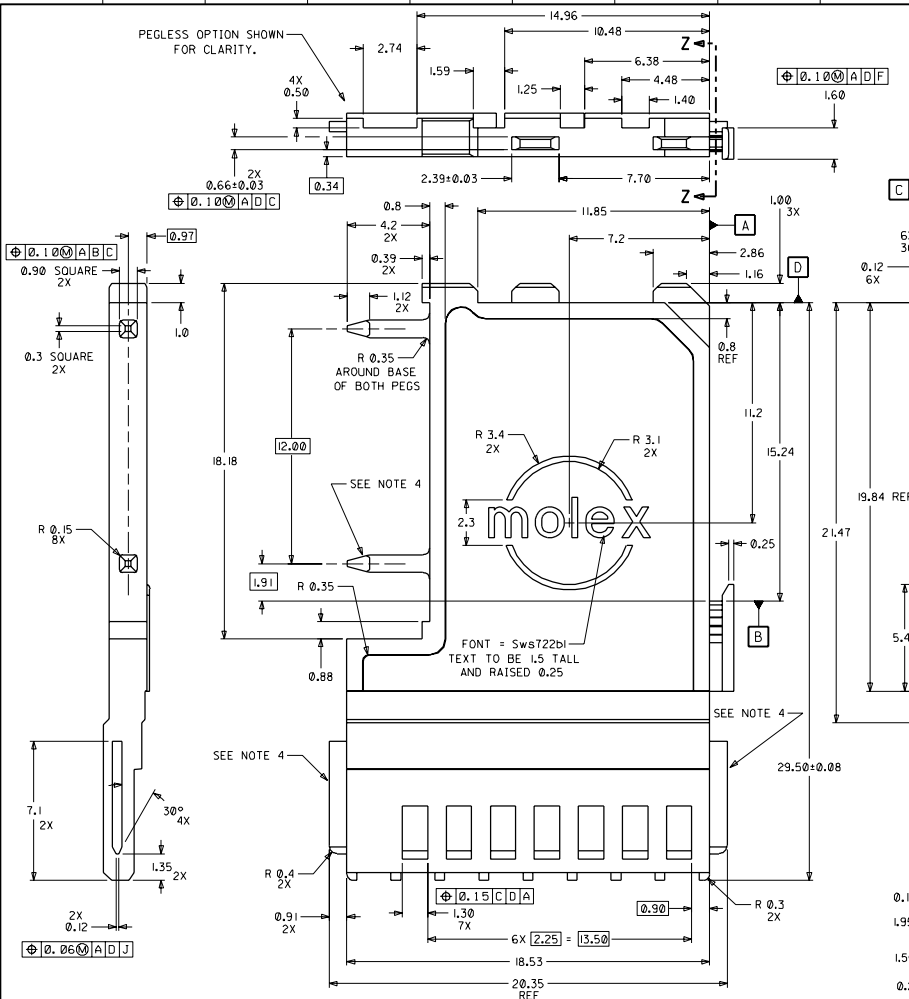


DAUGHTERCARD HOLE PATTERN (CONNECTOR SIDE)

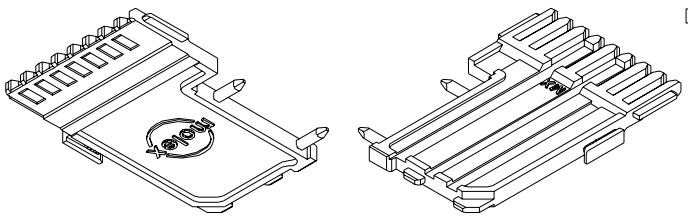


INITIAL RELEASE EC NO. UDT 1999-0291 DRWN: LAURX 98/10/19 CHK: MQWANG 98/10/19 APPR: BIXLER 98/10/19	QUALITY SYMBOLS MAJOR ∇ = 0 CRITICAL ∇ = 0	GENERAL TOLERANCES: (UNLESS SPECIFIED)		SCALE 4 : 1	DESIGN UNITS <input checked="" type="checkbox"/> mm <input type="checkbox"/> INCH	DIMENSIONS: <input type="checkbox"/> mm <input type="checkbox"/> INCH <input checked="" type="checkbox"/> mm ONLY		SHT	REV		
		4 PLACES ±0. -- ±. --	3 PLACES ±0. -- ±. --	2 PLACES ±0.13 ±. --	1 PLACE ±0.25 ±. --	ANGULAR: ± 2°	DRAWN BY & DATE LAURX 98/10/19		TITLE: VHDM DAUGHTERCARD 8 ROW GUIDE MODULE SALES DRAWING		
		DRAFT WHERE APPLICABLE MUST REMAIN WITHIN DIMENSIONS		APPROVED BY & DATE BIXLER 98/10/19		CAD FILENAME S7403706.DGN		MATERIAL NO. SEE CHART		DRAWING NO. SD-74037-006	
		THIS DRAWING CONTAINS INFORMATION THAT IS PROPRIETARY TO MOLEX INCORPORATED AND SHOULD NOT BE USED WITHOUT WRITTEN PERMISSION.		MOLEX INCORPORATED		SHEET NO. 1 OF 1		SIZE C			

MATERIAL NUMBER	PEG STATUS	RIB STATUS
74038-1001	WITHOUT PEGS	WITH RIBS
74038-1002	WITH PEGS	WITH RIBS
74038-1008	WITHOUT PEGS	WITHOUT RIBS



- NOTES: (UNLESS OTHERWISE SPECIFIED)
1. MATERIAL: VECTRA L130 (LCP), COLOR: BLACK (D2) PER MOLEX MATERIAL NUMBER 89992-0057.
 2. 0.10 MAXIMUM ALLOWABLE FLASH.
 3. GATE TO BE SUFFICIENTLY RECESSED SO THAT VESTIGE WILL NOT EXCEED PART SURFACE.
 4. PART MAY BE PRODUCED WITH OR WITHOUT PEGS AND WITH OR WITHOUT ALIGNMENT RIBS. SEE CHART FOR APPROPRIATE MATERIAL NUMBERS.

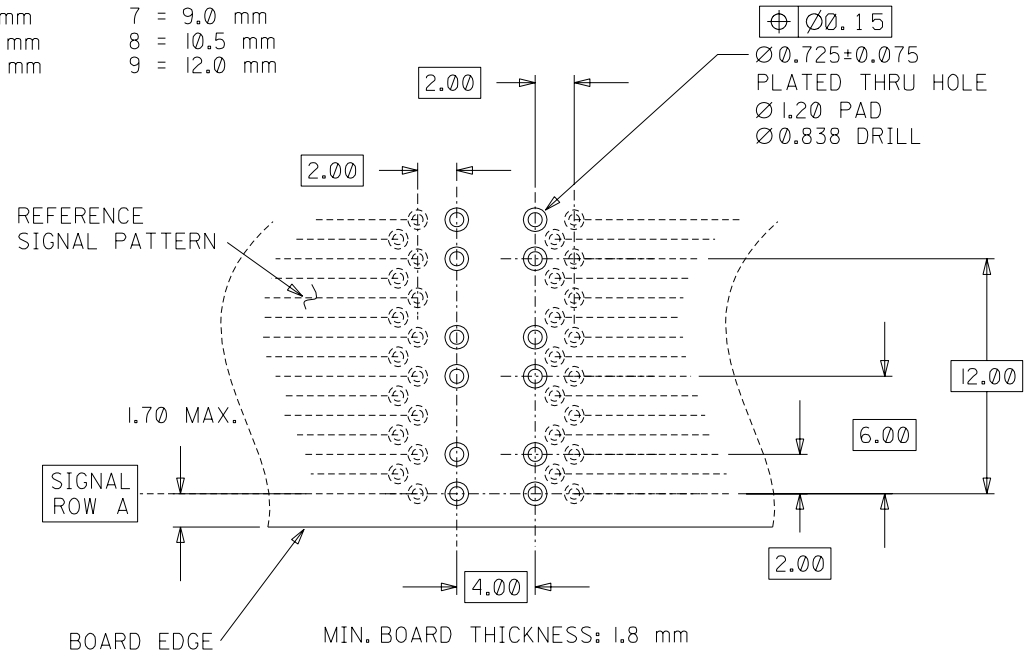
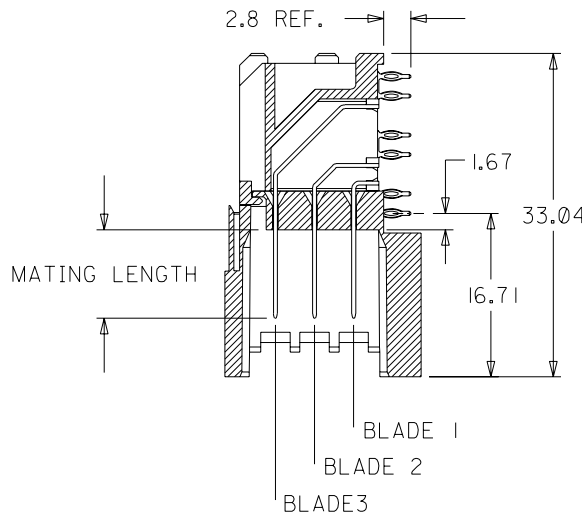
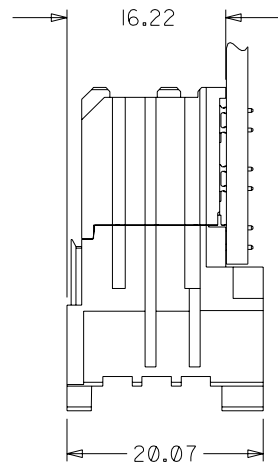
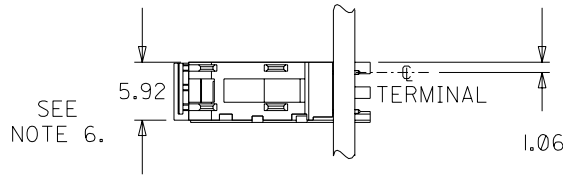
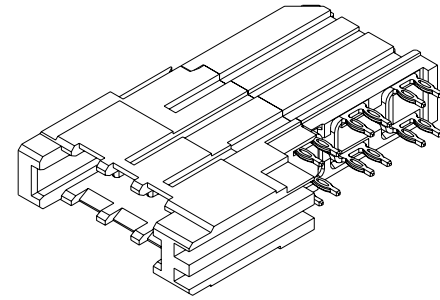


REVISED PER EC No. JDT2002-06592 DRWN: LAURX 01/08/09 CHKS: MARTIN 01/08/09 APPR: BIXLER 01/08/09	QUALITY SYMBOLS MAJOR: 4 PLACES ±0. -- 2. -- CRITICAL: 3 PLACES ±0. -- 2. -- 2 PLACES ±0.05 ±. -- 1 PLACE ±0.13 ±. -- ANGLAR: ± 2°	GENERAL TOLERANCES UNLESS SPECIFIED: mm INCH	SCALE: 8 : 1 DESIGN UNITS: mm INCH THIRD ANGLE PROJECTION	DIMENSIONS: mm INCH mm ONLY	SHT: 1 OF 1 REV: 1 OF 1		
		DRAWN BY & DATE LAURX 98/11/09	CHECKED BY & DATE MOWANG 98/11/10	APPROVED BY & DATE BIXLER 98/11/10	TITLE: VHD 8 ROW DAUGHTERCARD END CAP	MATERIAL NO. SEE CHART	DRAWING NO. E-74038-002
		CAD FILENAME E7403802.DGN	MATERIAL NO. SEE CHART	DRAWING NO. E-74038-002	MOLEX INCORPORATED	SHEET NO. 1 OF 1	SIZE D
		DRAFT WHERE APPLICABLE MUST REMAIN WITHIN DIMENSIONS THIS DRAWING CONTAINS INFORMATION THAT IS PROPRIETARY TO MOLEX INCORPORATED AND SHOULD NOT BE USED WITHOUT WRITTEN PERMISSION.					

MATERIAL NUMBER ASSIGNMENT

74026 - 8 * * * SEE NOTE 2. & 3.

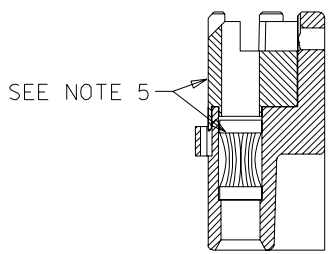
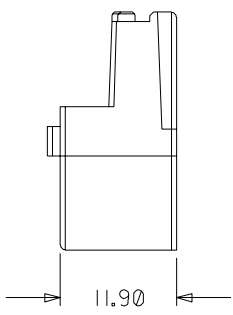
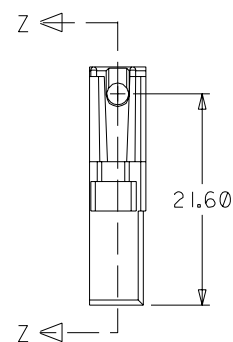
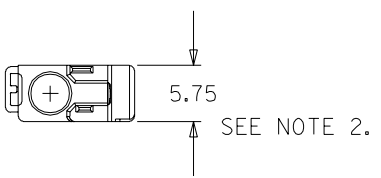
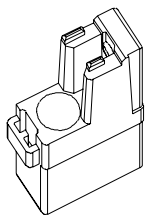
BLADE 1 MATING LENGTH	BLADE 2 MATING LENGTH	BLADE 3 MATING LENGTH
1 = 7.5 mm	1 = 7.5 mm	1 = 7.5 mm
2 = 9.0 mm	2 = 9.0 mm	2 = 9.0 mm
3 = 10.5 mm	3 = 10.5 mm	3 = 10.5 mm
4 = 12.0 mm	4 = 12.0 mm	4 = 12.0 mm
5 = 9.75 mm	5 = 9.75 mm	5 = 9.75 mm
6 = 7.5 mm	6 = 7.5 mm	6 = 7.5 mm
7 = 9.0 mm	7 = 9.0 mm	7 = 9.0 mm
8 = 10.5 mm	8 = 10.5 mm	8 = 10.5 mm
9 = 12.0 mm	9 = 12.0 mm	9 = 12.0 mm



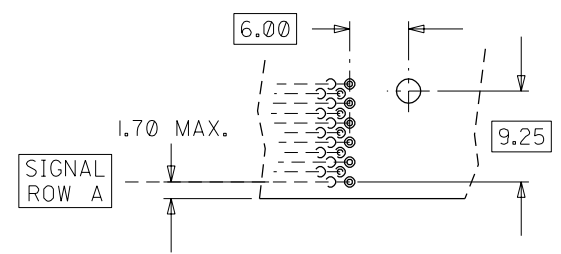
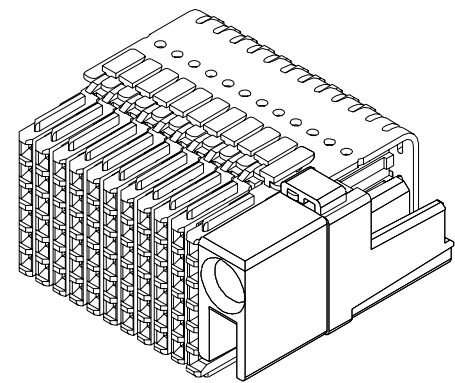
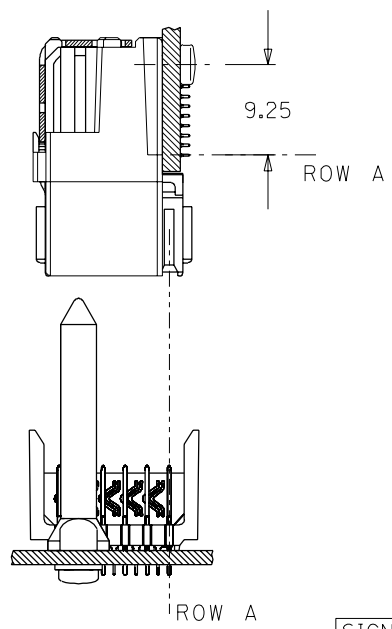
NOTES:

- MATERIALS:
HOUSING - LIQUID CRYSTAL POLYMER (LCP)
UL94 V-0 RATED, COLOR: BLACK
TERMINAL - COPPER ALLOY
- FINISH: SELECT GOLD ON MATING SURFACE, 30 microINCH THICK;
TIN/LEAD ON TAILS; NICKEL OVERALL. (WHEN * = 1, 2, 3, 4, OR 5).
- FINISH: SELECT GOLD ON MATING SURFACE, 50 microINCH THICK;
TIN/LEAD ON TAILS; NICKEL OVERALL. (WHEN * = 6, 7, 8, OR 9).
- THIS PART CONFORMS TO PRODUCT SPECIFICATION PS-74031-999.
- PART SHOWN IS 74026-8222.
- USE 6.00 mm NOMINAL FOR DAUGHTERCARD LAYOUT.

ADD 9.75 BLADE EC NO. UDT2002-1108 DRWN: ELO 02/03/12 CHK: ELO 02/03/13 APPR: BIXLER 02/03/14	QUALITY SYMBOLS MAJOR $\nabla = 0$ CRITICAL $\nabla C = 0$	GENERAL TOLERANCES: (UNLESS SPECIFIED)		SCALE NONE <input checked="" type="checkbox"/> mm <input type="checkbox"/> INCH	DESIGN UNITS <input checked="" type="checkbox"/> mm <input type="checkbox"/> INCH	THIRD ANGLE PROJECTION	DIMENSIONS: <input type="checkbox"/> mm <input type="checkbox"/> INCH <input checked="" type="checkbox"/> MM ONLY	SHT	REV
		mm	INCH	DRAWN BY & DATE ELO 98/10/15	TITLE: VHDM POWER 8 ROW DAUGHTERCARD SALES ASSEMBLY				
E	REV	4 PLACES $\pm 0.$	$\pm.$	CHECKED BY & DATE BREARLEY 98/10/21	APPROVED BY & DATE BIXLER 98/10/22		MOLEX INCORPORATED		
		3 PLACES $\pm 0.$	$\pm.$	CAD FILENAME SD-74026-002.S01	MATERIAL NO. SEE CHART	DRAWING NO. SD-74026-002	SHEET NO. 1 OF 1	SIZE B	
		2 PLACES $\pm 0.$	$\pm.$	DRAFT WHERE APPLICABLE MUST REMAIN WITHIN DIMENSIONS		THIS DRAWING CONTAINS INFORMATION THAT IS PROPRIETARY TO MOLEX INCORPORATED AND SHOULD NOT BE USED WITHOUT WRITTEN PERMISSION.			
		1 PLACE $\pm 0.$	$\pm.$	ANGULAR: $\pm 5^\circ$					



SECTION Z-Z



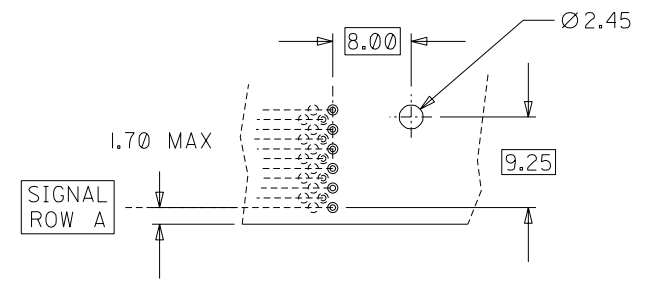
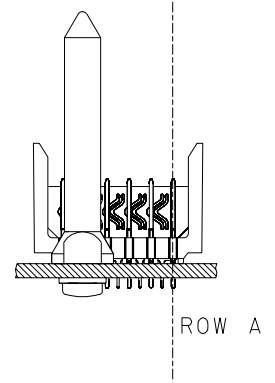
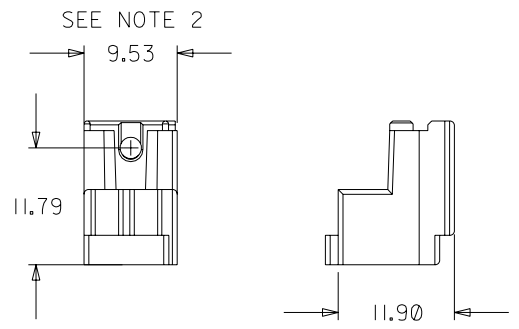
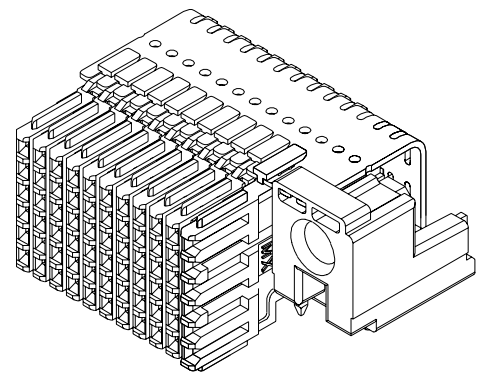
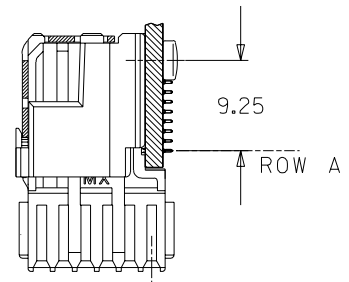
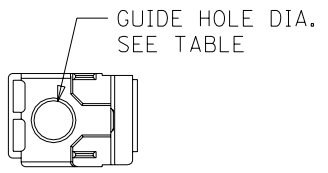
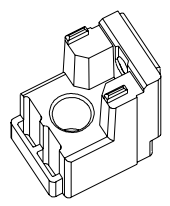
**DAUGHTERCARD HOLE PATTERN
(CONNECTOR SIDE)
(SEE NOTE 4.)**

- NOTES:**
1. MATERIAL: ZINC ALLOY DIE CAST WITH CHROMATE FINISH.
 2. USE 6.00mm NOMINAL FOR DAUGHTERCARD LAYOUT.
 3. COMPONENTS (POWER MODULE, END CAP, GUIDE BLOCK) MUST SEPARATE JOINER/GROUND MODULE FROM ADJACENT SIGNAL WAFER.
 4. 6.00mm SPACING IS FOR ADJACENT END CAP AND SIGNAL WAFER. DEPENDING ON COMPONENTS, 6.00mm CAN BE ANY MULTIPLE OF 2.00mm GREATER THAN 6.00mm. DIMENSION VALID FOR COMPONENTS TO THE RIGHT OR LEFT OF JOINER MODULE. (COMPONENTS LEFT OF JOINER SHOWN)
 5. GROUND MODULE HAS BAND CONTACT AND CAP WHEREAS JOINER MODULE DOES NOT.
 6. PART SHOULD BE PACKAGED ACCORDING TO PK-70873-5042.

PART NUMBER	CONTACT	SURFACE FINISH
74039-6006 (JOINER)	NO	BLACK CHROMATE
74039-6906 (GROUND)	YES	YELLOW CHROMATE

MODIFY Z-Z, NOTE 5. EC NO. LDT2001-0815 DRWN: ELO 01/02/07 CHK: ELO 01/02/07 APPR: BIXLER 01/02/10	QUALITY SYMBOLS MAJOR CRITICAL	GENERAL TOLERANCES: (UNLESS SPECIFIED)		SCALE: 2:1	DESIGN UNITS: <input checked="" type="checkbox"/> mm <input type="checkbox"/> INCH	DIMENSIONS: <input checked="" type="checkbox"/> mm <input type="checkbox"/> INCH <input type="checkbox"/> mm ONLY	SHT	REV	
			mm	INCH	DRAWN BY & DATE: PPSIMEK 00/06/21	THIRD ANGLE PROJECTION			
		4 PLACES ±0.	±.	±.	CHECKED BY & DATE: ELO 00/07/10	TITLE: VHDM 6 ROW JOINER/GROUND MODULE 6 MM WIDE			
		3 PLACES ±0.	±.	±.	APPROVED BY & DATE: BIXLER 00/07/14	MATERIAL NO. SEE CHART			
			ANGULAR: ± °	CAD FILENAME: 74039-009.S01	DRAWING NO. SD-74039-009				
				DRAFT WHERE APPLICABLE MUST REMAIN WITHIN DIMENSIONS		SHEET NO. 1 OF 1		SIZE B	
THIS DRAWING CONTAINS INFORMATION THAT IS PROPRIETARY TO MOLEX INCORPORATED AND SHOULD NOT BE USED WITHOUT WRITTEN PERMISSION.									

PART NUMBER	GUIDE HOLE DIA.	CHROMATE FINISH
74039-6010	3.95 mm	BLACK
74039-6110	3.45 mm	YELLOW
74039-6210	NONE	YELLOW



DAUGHTERCARD HOLE PATTERN
(CONNECTOR SIDE)
(SEE NOTE 4.)

- NOTES:
1. MATERIAL: ZINC ALLOY DIE CAST WITH CHROMATE FINISH PER TABLE.
 2. USE 10.00mm NOMINAL FOR DAUGHTERCARD LAYOUT.
 3. COMPONENTS (POWER MODULE, END CAP, GUIDE BLOCK) MUST SEPARATE JOINER/GROUND MODULE FROM ADJACENT SIGNAL WAFER.
 4. 8.00mm SPACING IS FOR ADJACENT END CAP AND SIGNAL WAFER. DEPENDING ON COMPONENTS, 8.00mm CAN BE ANY MULTIPLE OF 2.00mm GREATER THAN 8.00mm. DIMENSION VALID FOR COMPONENTS TO THE RIGHT OR LEFT OF JOINER MODULE. (COMPONENTS LEFT OF JOINER SHOWN)
 5. PART SHOULD BE PACKAGED ACCORDING TO PK-70873-5042.

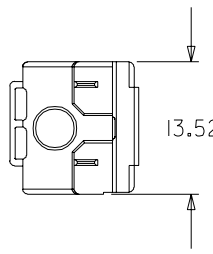
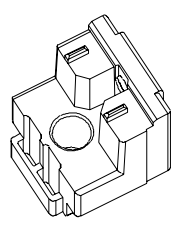
ADD PART NUMBERS	EC NO. UCP2003-0221	DRW:HELO 02/08/06	CHK: LAURX 02/08/06	APPR: BIXLER 02/08/06
REV	C	DESCRIPTION		

QUALITY SYMBOLS	MAJOR = ∇	CRITICAL = ∇
-----------------	-----------	--------------

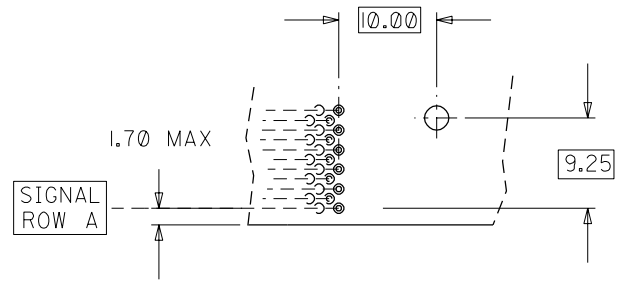
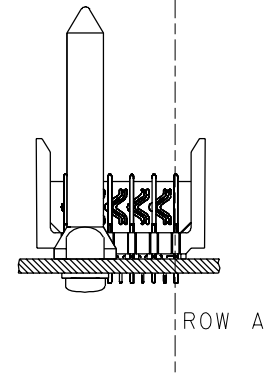
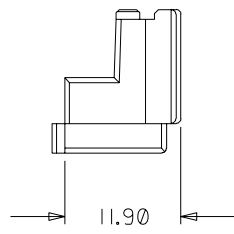
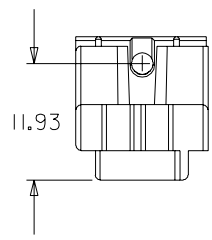
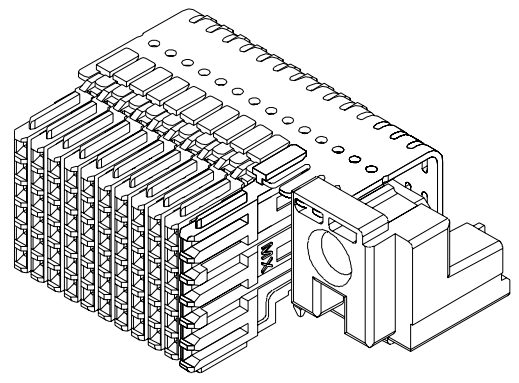
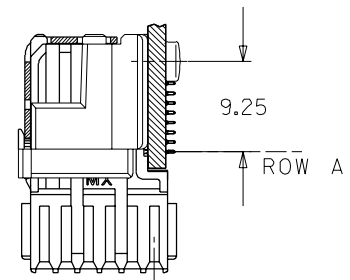
GENERAL TOLERANCES: (UNLESS SPECIFIED)	SCALE 2:1	DESIGN UNITS <input checked="" type="checkbox"/> mm <input type="checkbox"/> INCH
4 PLACES ±0.	mm	INCH
3 PLACES ±0.	mm	INCH
2 PLACES ±0.	mm	INCH
1 PLACE ±0.	mm	INCH
ANGULAR: ±1/2 °		
DRAFT WHERE APPLICABLE MUST REMAIN WITHIN DIMENSIONS		

DRAWN BY & DATE	PPSIMEK 00/06/21
CHECKED BY & DATE	ELO 00/07/10
APPROVED BY & DATE	BIXLER 00/07/14
CAD FILENAME	74039-010.S01

DIMENSIONS: <input checked="" type="checkbox"/> mm <input type="checkbox"/> INCH <input type="checkbox"/> mm ONLY		SHT	REV
THIRD ANGLE PROJECTION		REVISE ON CAD ONLY	
TITLE: VHDM 6 ROW JOINER MODULE 10 MM WIDE			
MOLEX INCORPORATED			
MATERIAL NO.	DRAWING NO.	SHEET NO.	SIZE
SEE TABLE	SD-74039-010	1 OF 1	B



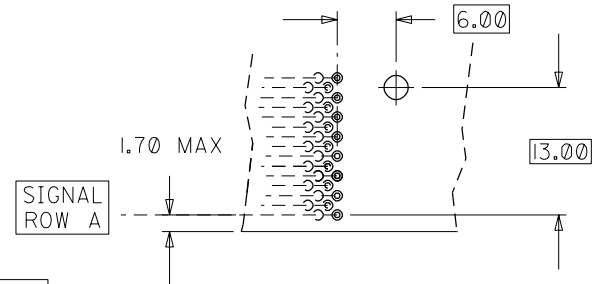
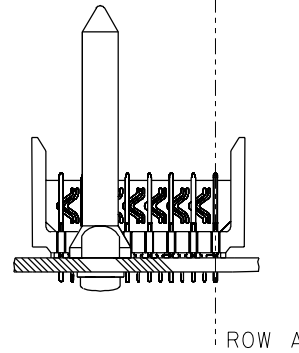
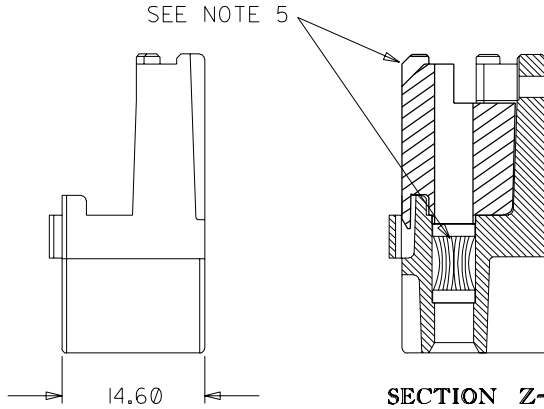
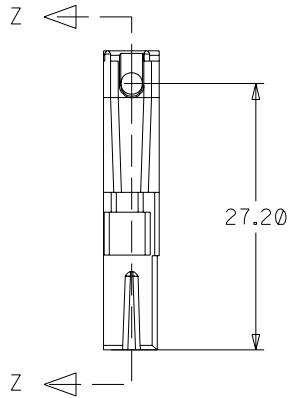
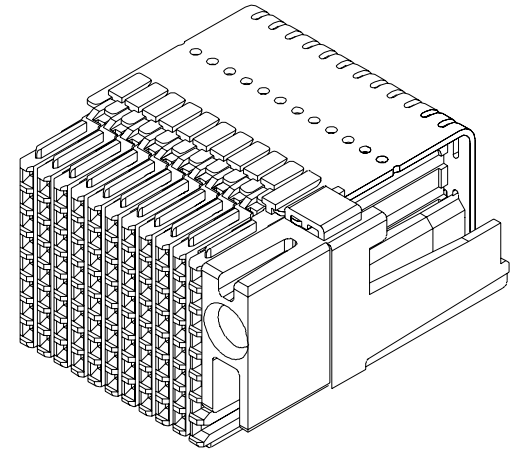
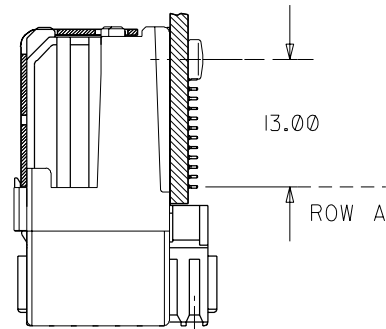
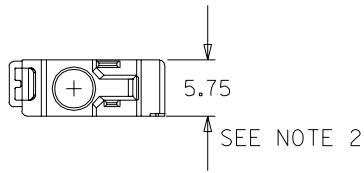
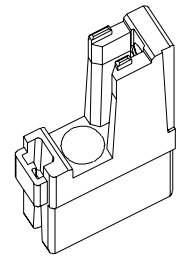
SEE NOTE 2



DAUGHTERCARD HOLE PATTERN
(CONNECTOR SIDE)
(SEE NOTE 4.)

- NOTES:
1. MATERIAL: ZINC ALLOY DIE CAST WITH BLACK CHROMATE FINISH.
 2. USE 14.00mm NOMINAL FOR DAUGHTERCARD LAYOUT.
 3. COMPONENTS (POWER MODULE, END CAP, GUIDE BLOCK) MUST SEPARATE JOINER/GROUND MODULE FROM ADJACENT SIGNAL WAFER.
 4. 10.00mm SPACING IS FOR ADJACENT END CAP AND SIGNAL WAFER. DEPENDING ON COMPONENTS, 10.00mm CAN BE ANY MULTIPLE OF 2.00mm GREATER THAN 10.00mm. DIMENSION VALID FOR COMPONENTS TO THE RIGHT OR LEFT OF JOINER MODULE. (COMPONENTS LEFT OF JOINER SHOWN)
 5. PART SHOULD BE PACKAGED ACCORDING TO PK-70873-5042.

ADDED NOTE #5 EC NO. UDT2001-0388 DRWN: L.MOSLEY 00/10/20 CHK: ELO 00/10/20 APPR: BIXLER 00/10/20	QUALITY SYMBOLS MAJOR CRITICAL	GENERAL TOLERANCES: (UNLESS SPECIFIED)		SCALE 2:1	DESIGN UNITS <input checked="" type="checkbox"/> mm <input type="checkbox"/> INCH	DIMENSIONS: <input checked="" type="checkbox"/> mm <input type="checkbox"/> INCH <input type="checkbox"/> mm ONLY	SHT	REV
		4 PLACES ±0.	±.	DRAWN BY & DATE PPSIMEK 00/06/21	TITLE: VHDM 6 ROW JOINER MODULE 14 MM WIDE	REVISION ON CAD ONLY		
REV B	DESCRIPTION	3 PLACES ±0.	±.	CHECKED BY & DATE ELO 00/07/10	APPROVED BY & DATE BIXLER 00/07/14			
		2 PLACES ±0.	±.	MATERIAL NO. 740396014		DRAWING NO. SD-74039-011		SHEET NO. 1 OF 1
		1 PLACE ±0.	±.	CAD FILENAME 74039-011.S01	THIS DRAWING CONTAINS INFORMATION THAT IS PROPRIETARY TO MOLEX INCORPORATED AND SHOULD NOT BE USED WITHOUT WRITTEN PERMISSION.			
		ANGULAR: ±1/2°		DRAFT WHERE APPLICABLE MUST REMAIN WITHIN DIMENSIONS		SIZE B		

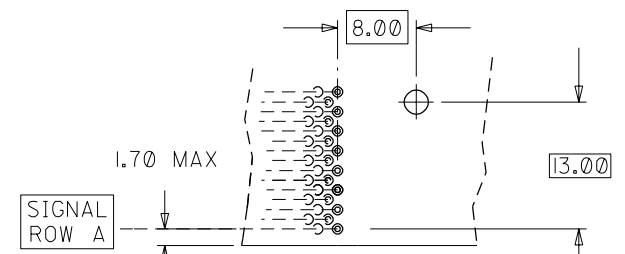
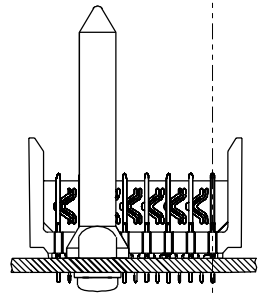
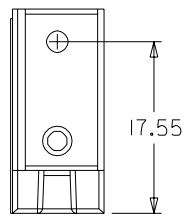
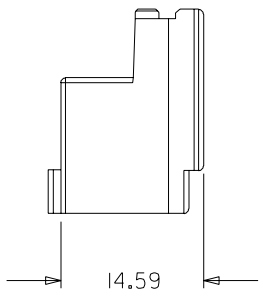
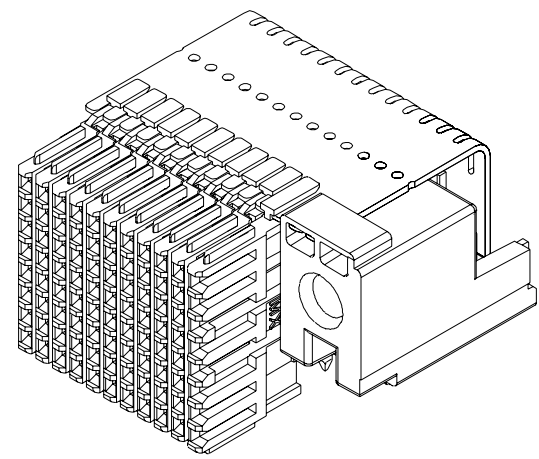
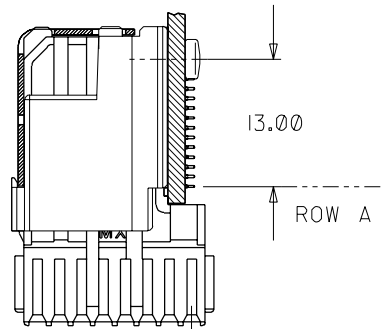
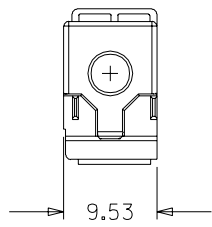
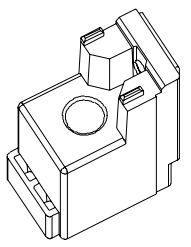


NOTES:

1. MATERIAL: ZINC ALLOY DIE CAST WITH CHROMATE FINISH.
2. USE 6.00mm NOMINAL FOR DAUGHTERCARD LAYOUT.
3. COMPONENTS (POWER MODULE, END CAP, GUIDE BLOCK) MUST SEPARATE JOINER/GROUND MODULE FROM ADJACENT SIGNAL WAFER.
4. 6.00mm SPACING IS FOR ADJACENT END CAP AND SIGNAL WAFER. DEPENDING ON COMPONENTS, 6.00mm CAN BE ANY MULTIPLE OF 2.00mm GREATER THAN 6.00mm. DIMENSION VALID FOR COMPONENTS TO THE RIGHT OR LEFT OF JOINER MODULE. (COMPONENTS LEFT OF JOINER SHOWN)
5. GROUND MODULE HAS BAND CONTACT AND GROUND CAP WHEREAS JOINER MODULE DOES NOT.
6. PART IS TO BE PACKAGED ACCORDING TO PK-70873-5042.

PART NUMBER	CONTACT	SURFACE FINISH
74039-8006 (JOINER)	NO	BLACK CHROMATE
74039-8906 (GROUND)	YES	YELLOW CHROMATE

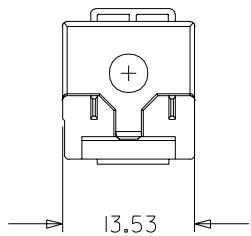
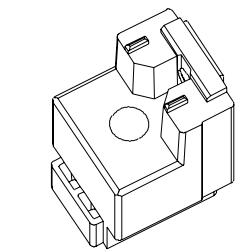
ADD GROUND CAP EC NO. LDT2001-0815 DRWN: ELO 01/02/07 CHK: ELO 01/02/07 APPR: BIXLER 01/02/10	QUALITY SYMBOLS MAJOR $\blacktriangledown = 0$ CRITICAL $\nabla = 0$	GENERAL TOLERANCES: (UNLESS SPECIFIED)		SCALE 2:1	DESIGN UNITS <input checked="" type="checkbox"/> mm <input type="checkbox"/> INCH	DIMENSIONS: <input checked="" type="checkbox"/> mm <input type="checkbox"/> INCH <input type="checkbox"/> mm ONLY	SHT REV	
		4 PLACES $\pm 0.$	3 PLACES $\pm 0.$	2 PLACES $\pm 0.$	1 PLACE $\pm 0.$	DRAWN BY & DATE PPSIMEK 00/06/21	TITLE: VHDM 8 ROW JOINER/GROUND MODULE 6 MM WIDE	REVISION ON CAD ONLY
		ANGULAR: \pm		DRAFT WHERE APPLICABLE MUST REMAIN WITHIN DIMENSIONS		CHECKED BY & DATE ELO 00/07/10	APPROVED BY & DATE BIXLER 00/07/14	MOLEX INCORPORATED
		CAD FILENAME 74039-012.S01		MATERIAL NO. SEE CHART	DRAWING NO. SD-74039-012	SHEET NO. 1 OF 1	SIZE B	



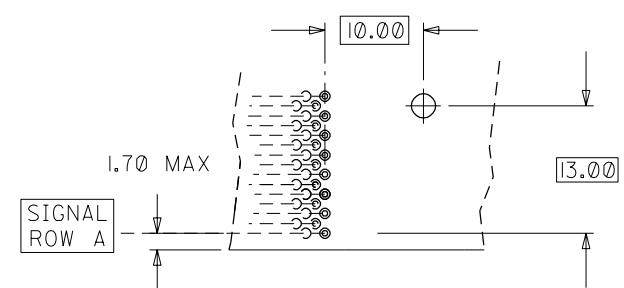
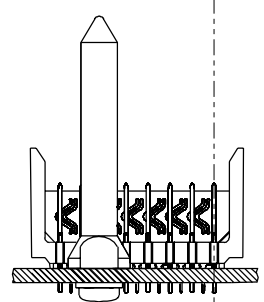
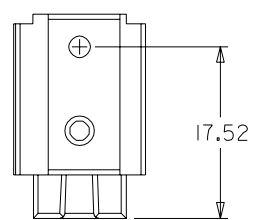
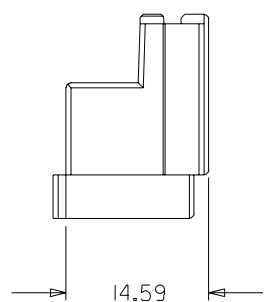
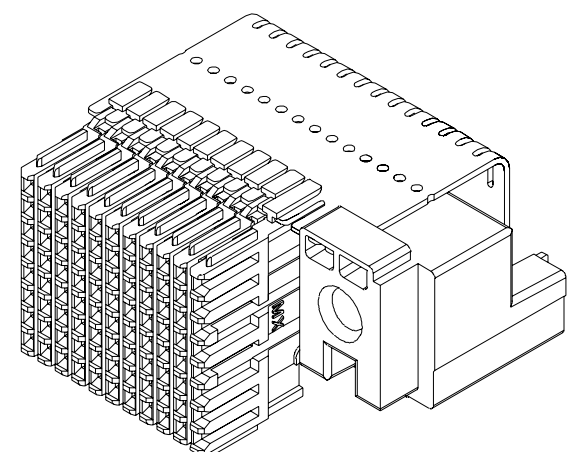
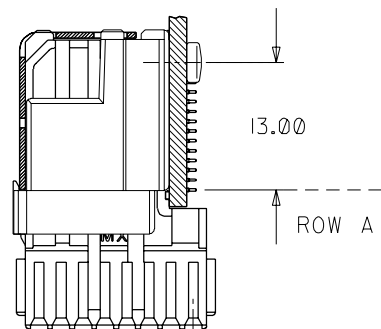
DAUGHTERCARD HOLE PATTERN
(CONNECTOR SIDE)
(SEE NOTE 4.)

- NOTES:
1. MATERIAL: ZINC ALLOY DIE CAST WITH BLACK CHROMATE FINISH.
 2. USE 10.00mm NOMINAL FOR DAUGHTERCARD LAYOUT.
 3. COMPONENTS (POWER MODULE, END CAP, GUIDE BLOCK) MUST SEPARATE JOINER/GROUND MODULE FROM ADJACENT SIGNAL WAFER.
 4. 8.00mm SPACING IS FOR ADJACENT END CAP AND SIGNAL WAFER. DEPENDING ON COMPONENTS, 8.00mm CAN BE ANY MULTIPLE OF 2.00mm GREATER THAN 8.00mm. DIMENSION VALID FOR COMPONENTS TO THE RIGHT OR LEFT OF JOINER MODULE. (COMPONENTS LEFT OF JOINER SHOWN)
 5. PART SHOULD BE PACKAGED ACCORDING TO PK-70873-5042.

ADDED NOTE #5 EC NO. LDT2001-0388 DRWN: L.MOSLEY 00/10/20 CHK: ELO 00/10/20 APPR: BIXLER 00/10/20	QUALITY SYMBOLS MAJOR CRITICAL	GENERAL TOLERANCES: (UNLESS SPECIFIED)		SCALE 2:1	DESIGN UNITS <input checked="" type="checkbox"/> mm <input type="checkbox"/> INCH	DIMENSIONS: <input checked="" type="checkbox"/> mm <input type="checkbox"/> INCH <input type="checkbox"/> mm ONLY	SHT	REV
		mm	INCH	DRAWN BY & DATE PPSIMEK 00/06/21	TITLE: VHDM 8 ROW JOINER MODULE 10 MM WIDE	REVISE ON CAD ONLY		
REV	DESCRIPTION	4 PLACES	±0.	±.	CHECKED BY & DATE ELO 00/07/10	MATERIAL NO. 740398010		
		3 PLACES	±0.	±.	APPROVED BY & DATE BIXLER 00/07/14	DRAWING NO. SD-74039-013		
		2 PLACES	±0.	±.	CAD FILENAME 74039-013.S01	SHEET NO. 1 OF 1		
		1 PLACE	±0.	±.	ANGULAR: ±1/2 °	SIZE B		
DRAFT WHERE APPLICABLE MUST REMAIN WITHIN DIMENSIONS		THIS DRAWING CONTAINS INFORMATION THAT IS PROPRIETARY TO MOLEX INCORPORATED AND SHOULD NOT BE USED WITHOUT WRITTEN PERMISSION.						



SEE NOTE 2

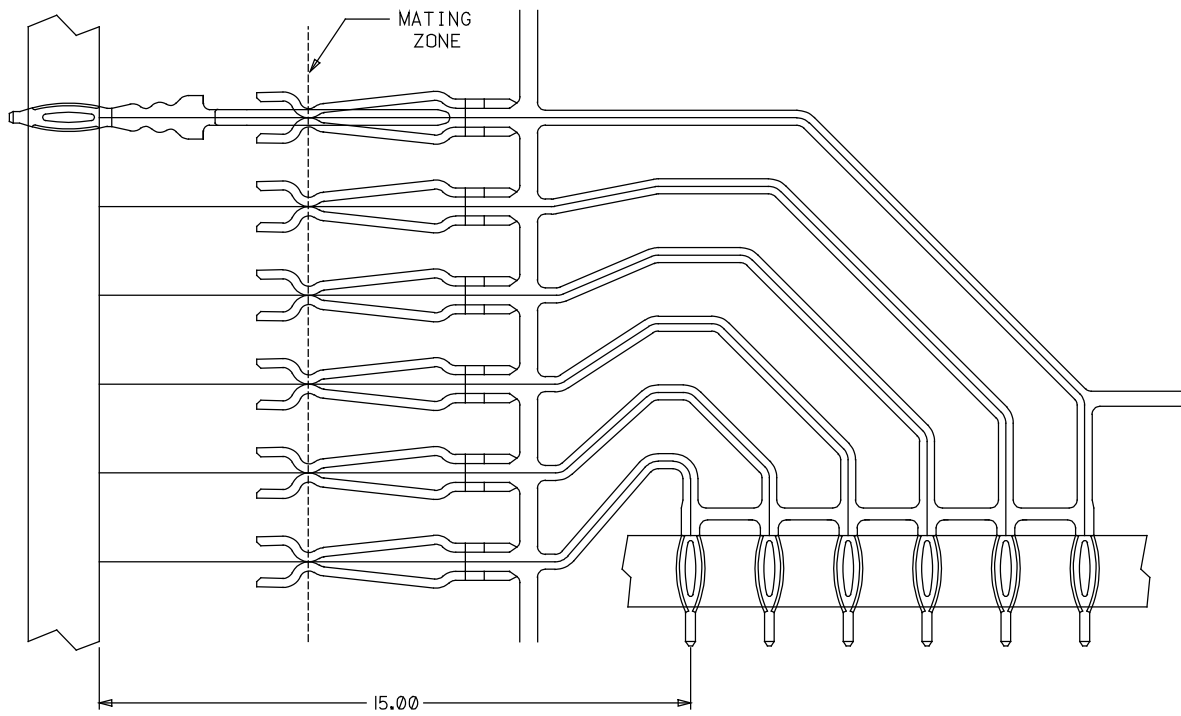


DAUGHTERCARD HOLE PATTERN
(CONNECTOR SIDE)
(SEE NOTE 4.)

- NOTES:
1. MATERIAL: ZINC ALLOY DIE CAST WITH BLACK CHROMATE FINISH.
 2. USE 14.00mm NOMINAL FOR DAUGHTERCARD LAYOUT.
 3. COMPONENTS (POWER MODULE, END CAP, GUIDE BLOCK) MUST SEPARATE JOINER/GROUND MODULE FROM ADJACENT SIGNAL WAFER.
 4. 10.00mm SPACING IS FOR ADJACENT END CAP AND SIGNAL WAFER. DEPENDING ON COMPONENTS, 10.00mm CAN BE ANY MULTIPLE OF 2.00mm GREATER THAN 10.00mm. DIMENSION VALID FOR COMPONENTS TO THE RIGHT OR LEFT OF JOINER MODULE. (COMPONENTS LEFT OF JOINER SHOWN)
 5. PART SHOULD BE PACKAGED ACCORDING TO PK-70873-5042.

ADDED NOTE #5	EC NO. UDT2001-0388 DRWN: L.MOSLEY 00/10/20 CHK: ELO 00/10/20 APPR: BIXLER 00/10/20	DESCRIPTION	QUALITY SYMBOLS MAJOR CRITICAL	GENERAL TOLERANCES: (UNLESS SPECIFIED)		SCALE 2:1	DESIGN UNITS <input checked="" type="checkbox"/> mm <input type="checkbox"/> INCH	DIMENSIONS: <input checked="" type="checkbox"/> mm <input type="checkbox"/> INCH <input type="checkbox"/> mm ONLY		SHT	REV	
				4 PLACES ±0.	±.	3 PLACES ±0.	±.	2 PLACES ±0.	±.	1 PLACE ±0.	±.	REVISIONS ON CAD ONLY
DRAWN BY & DATE PPSIMEK 00/06/21				CHECKED BY & DATE ELO 00/07/10				TITLE: VHDM 8 ROW JOINER MODULE 14 MM WIDE				
APPROVED BY & DATE BIXLER 00/07/14				CAD FILENAME 74039-014.S01				MATERIAL NO. 740398014		DRAWING NO. SD-74039-014		SHEET NO. 1 OF 1
ANGULAR: ±1/2°				DRAFT WHERE APPLICABLE MUST REMAIN WITHIN DIMENSIONS				THIS DRAWING CONTAINS INFORMATION THAT IS PROPRIETARY TO MOLEX INCORPORATED AND SHOULD NOT BE USED WITHOUT WRITTEN PERMISSION.				
REV				SIZE				B				

VHDM 6 ROW PATHLENGTHS



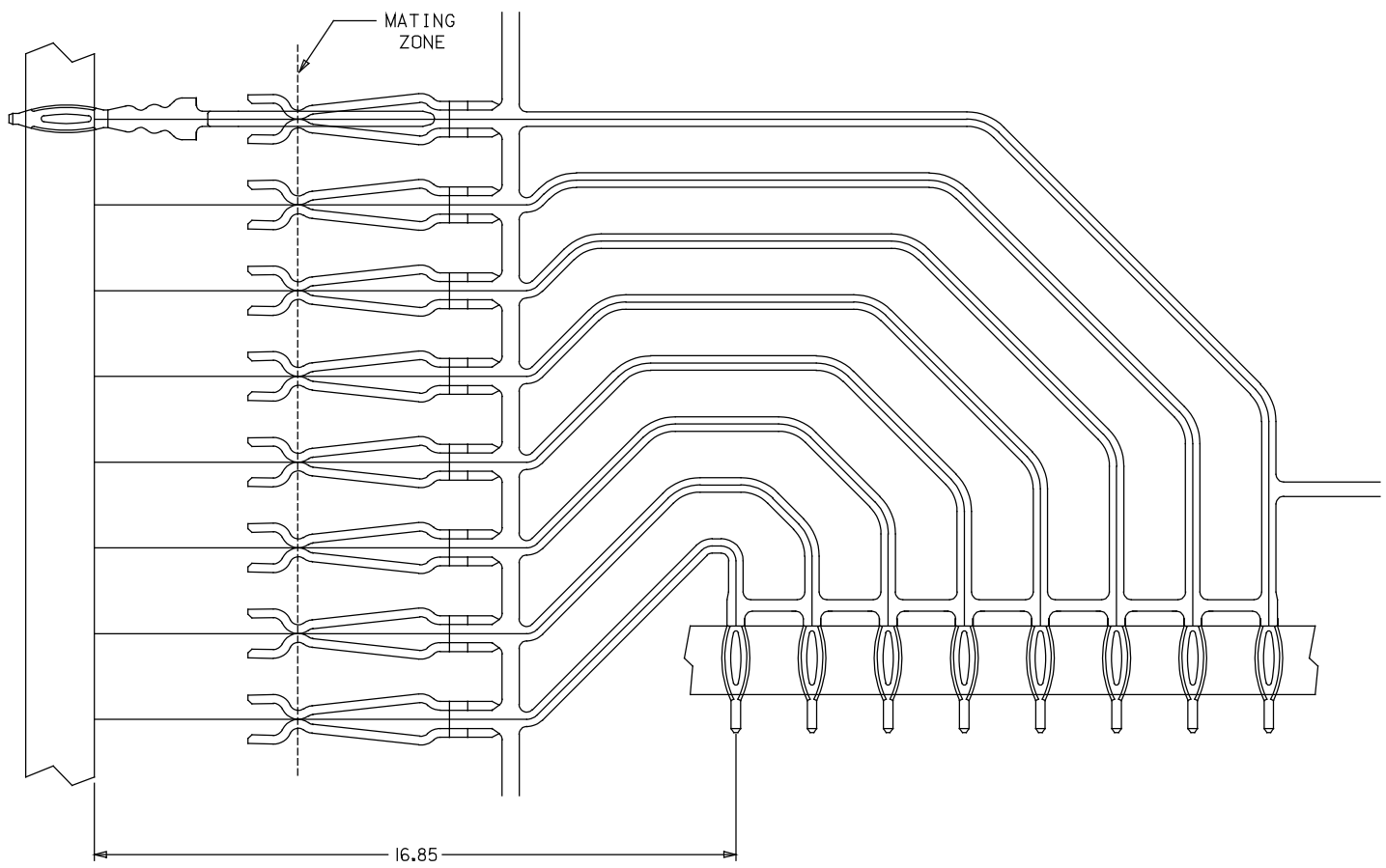
(FROM SURFACE OF DAUGHTERCARD TO SURFACE OF BACKPLANE)

ROW A: 17.80 mm
 ROW B: 20.16 mm
 ROW C: 22.84 mm
 ROW D: 25.59 mm
 ROW E: 28.43 mm
 ROW F: 31.37 mm

(FROM SURFACE OF DAUGHTERCARD TO MATING ZONE)

ROW A: 12.50 mm
 ROW B: 14.86 mm
 ROW C: 17.54 mm
 ROW D: 20.29 mm
 ROW E: 23.13 mm
 ROW F: 26.07 mm

VHDM 8 ROW PATHLENGTHS



(FROM SURFACE OF DAUGHTERCARD TO SURFACE OF BACKPLANE)

ROW A: 20.62 mm
 ROW B: 23.17 mm
 ROW C: 25.91 mm
 ROW D: 28.64 mm
 ROW E: 31.38 mm
 ROW F: 34.12 mm
 ROW G: 36.86 mm
 ROW H: 39.68 mm

(FROM SURFACE OF DAUGHTERCARD TO MATING ZONE)

ROW A: 15.32 mm
 ROW B: 17.87 mm
 ROW C: 20.61 mm
 ROW D: 23.34 mm
 ROW E: 26.08 mm
 ROW F: 28.82 mm
 ROW G: 31.56 mm
 ROW H: 34.38 mm