

SP C360/C361 series

Read This First

Read This First English

Leer antes de empezar Español

Leia isto primeiro Português (Brasil)

À lire avant de commencer Français



Read This First

1. Information

2. Safety Symbols for This Machine

3. Safety Information

4. Safety Labels of This Machine

5. Other Information for This Machine

For information not found in paper manuals, see the online manuals available on our web site (<http://www.rioh.com/>).



Read this manual carefully before you use this machine and keep it handy for future reference. For safe and correct use, be sure to read the Safety Information in this manual before using the machine.

English



1. Information

Introduction

This manual contains detailed instructions and notes on the operation and use of this machine. For your safety and benefit, read this manual carefully before using the machine. Keep this manual in a handy place for quick reference.

Manuals List

Manual Name	Media for the Machine	Media for Our Web Site
User Guide	-	PDF manual
Read This First	Printed manual	PDF manual
Quick Installation Guide	Printed manual	PDF manual
Operating Instructions	-	HTML manual
Security Guide	-	HTML manual
Setup Guide	PDF manual	PDF manual

Note

- Operating Instructions, and Setup Guide are available in English, German, French, Italian, Spanish, Dutch, and Russian.
 - For details about each manual, see “Manuals for This Machine”, Operating Instructions on our Web site.
-

Power Source

120-127 V, 60 Hz, 9 A

Please be sure to connect the power cord to a power source as above.

Disclaimer

To the maximum extent permitted by applicable laws, in no event will the manufacturer be liable for any damages whatsoever arising out of failures of this machine, losses of the registered data, or the use or non-use of this product and operation manuals provided with it. Make sure that you always copy or have backups of the data registered in this machine. Documents or data might be erased due to your operational errors or malfunctions of the machine. In no event will the manufacturer be responsible for any documents created by you using this machine or any results from the data executed by you.










Notes

For good output quality, the manufacturer recommends that you use genuine toner from the manufacturer.

The manufacturer shall not be responsible for any damage or expense that might result from the use of parts other than genuine parts from the manufacturer with your office products.

2.Safety Symbols for This Machine

The meanings of the safety symbols for this machine are as follows:

	Caution
	Caution, hot surface
	Do not touch
	Do not throw into the fire
	Do not use the cleaner
	Keep out of reach of children
	Prohibition
	General mandatory action sign
	Attention Electric Sensitive Device

3.Safety Information

Safety During Operation

In this manual, the following important symbols are used:

⚠ WARNING:

Indicates a potentially hazardous situation which, if instructions are not followed, could result in death or serious injury.

⚠ CAUTION:

Indicates a potentially hazardous situation which, if instructions are not followed, may result in minor or moderate injury or damage to property.

Environments Where the Machine Can be Used

⚠ WARNING:

- *Do not use flammable sprays or solvents in the vicinity of this machine. Also, avoid placing these items in the vicinity of this machine. Doing so could result in fire or electric shock.*

- *Do not place vases, plant pots, cups, toiletries, medicines, small metal objects, or containers holding water or any other liquids, on or close to this machine. Fire or electric shock could result from spillage or if such objects or substances fall inside this machine.*

⚠ CAUTION:

- *Keep the machine away from humidity and dust. Otherwise a fire or an electric shock might occur.*
- *Do not place the machine on an unstable or tilted surface. If it topples over, an injury might occur.*
- *Do not place heavy objects on the machine. Doing so can cause the machine to topple over, possibly resulting in injury.*
- *Make sure the room where you are using the machine is well ventilated and spacious. Good ventilation is especially important when the machine is used heavily.*
- *Do not obstruct the machine's vents. Doing so risks fire caused by overheated internal components.*

Handling Power Cords and Power Plugs

WARNING:

- *Do not use any power sources other than those that match the specifications shown in this manual. Doing so could result in fire or electric shock.*
- *Do not use any frequencies other than those that match the specifications shown. Doing so could result in fire or electric shock.*
- *Do not use multi-socket adaptors. Doing so could result in fire or electric shock.*
- *Do not use extension cords. Doing so could result in fire or electric shock.*
- *Do not use power cords that are damaged, broken, or modified. Also, do not use power cords that have been trapped under heavy objects, pulled hard, or bent severely. Doing so could result in fire or electric shock.*
- *If the power cord is damaged and its inner wires are exposed or broken, contact your service representative for a replacement. Use of damaged power cords could result in fire or electric shock.*

Be sure to disconnect the plug from the wall outlet at least once a year and check for the following:

- *There are burn marks on the plug.*
- *The prongs on the plug are deformed.*

If any of the above conditions exist, do not use the plug and consult your dealer or service representative. Use of the plug could result in fire or electric shock.

Be sure to disconnect the power cord from the wall outlet at least once a year and check for the following:

- *The power cord's inner wires are exposed, broken, etc.*
- *The power cord's coating has a crack or dent.*
- *When bending the power cord, the power turns off and on.*
- *Part of the power cord becomes hot.*
- *The power cord is damaged.*

If any of the above conditions exist, do not use the power cord and consult your dealer or service representative. Use of the power cord could result in fire or electric shock.

- *Touching the prongs of the power cable's plug with anything metallic constitutes a fire and electric shock hazard.*
- *The supplied power cord is for use with this machine only. Do not use it with other appliances. Doing so could result in fire or electric shock.*

- *It is dangerous to handle the power cord plug with wet hands. Doing so could result in electric shock.*

- *To reduce the risk of fire, use only No.26 AWG or larger telecommunication line cord.*

⚠ ATTENTION

Pour réduire le risque d'incendie, utiliser uniquement des conducteurs de télécommunications 26 AWG ou de section supérieure.

⚠ CAUTION:

- *Be sure to push the plug of the power cord fully into the wall outlet. Partially inserted plugs create an unstable connection that can result in unsafe buildup of heat.*

- *If this machine is not going to be used for several days or longer at a time, disconnect its power cord from the wall outlet.*

- *When disconnecting the power cord from the wall outlet, always pull the plug, not the cord. Pulling the cord can damage the power cord. Use of damaged power cords could result in fire or electric shock.*

- *Be sure to disconnect the plug from the wall outlet and clean the prongs and the area around the prongs at least once a year. Allowing dust to build up on the plug constitutes a fire hazard.*

- *When performing maintenance on the machine, always disconnect the power cord from the wall outlet.*

Handling the Main Machine

⚠ WARNING:

- *Be sure to locate the machine as close as possible to a wall outlet. This will allow easy disconnection of the power cord in the event of an emergency.*

- *If the machine emits smoke or odours, or if it behaves unusually, you must turn off its power immediately. After turning off the power, be sure to disconnect the power cord plug from the wall outlet. Then contact your service representative and report the problem. Do not use the machine. Doing so could result in fire or electric shock.*

• *If metal objects, or water or other fluids fall inside this machine, you must turn off its power immediately by first pressing the operation switch on the control panel and then pressing the main power switch. After turning off the power, be sure to disconnect the power cord plug from the wall outlet. Then contact your sales or service representative and report the problem. Do not use the machine. Doing so could result in fire or electric shock.*

• *When replacing the Fusing Unit, turn the main power switch off and wait at least 30 minutes before proceeding with the replacement.*

• *Do not touch this machine if a lightning strike occurs in the immediate vicinity. Doing so could result in electric shock.*

• *The following explains the warning messages on the plastic bag used in this product's packaging.*

- *Keep the polythene materials (bags, etc.) supplied with this machine away from babies and small children at all times. Suffocation can result if polythene materials are brought into contact with the mouth or nose.*

• *The following explains the warning messages on the plastic bag used in this product's packaging.*

- *Keep the polythene materials (bags, gloves, etc.) supplied with this machine away from babies and small children at all times. Suffocation can result if polythene materials are brought into contact with the mouth or nose .*

• *If the machine topples, or if a cover or other part gets broken, you must turn off its power immediately. After turning off the power, be sure to disconnect the power cord plug from the wall outlet. Then contact your service representative and report the problem. Do not use the machine. Doing so could result in fire or electric shock.*

⚠ CAUTION:

• *Unplug the power cord from the wall outlet before you move the machine. While moving the machine, take care that the power cord is not damaged under the machine. Failing to take these precautions could result in fire or electric shock.*

• *If you have to move the machine when the optional paper tray unit is attached, do not push on the main unit's top section. Doing so can cause the optional paper tray unit to detach, possibly resulting in injury.*

• *The machine weighs approximately 41.5 kg (91.5 lb.).*

• *When moving the machine, hold the handles located on both sides, and then lift it slowly. Lifting it carelessly or dropping it may cause an injury.*

- *Before installing or removing options, always disconnect the power cord plugs from the wall outlet and allow time for the main unit to fully cool. Failing to take these precautions could result in burns.*

- *Do not look into the lamp. It can damage your eyes.*

Handling the Machine's Interior

WARNING:

- *Do not remove any covers or screws other than those explicitly mentioned in this manual. Inside this machine are high voltage components that are an electric shock hazard. Contact your sales or service representative if any of the machine's internal components require maintenance, adjustment, or repair.*
- *Do not attempt to disassemble or modify this machine. Doing so risks burns and electric shock.*

CAUTION:

- *If the machine's interior is not cleaned regularly, dust will accumulate. Fire and breakdown can result from heavy accumulation of dust inside this machine. Contact your sales or service representative for details about and charges for cleaning the machine's interior.*
- *Some of this machine's internal components get very hot. For this reason, take care when removing misfed paper. Not doing so could result in burns.*
- *When removing jammed paper, make sure not to trap or injure your fingers.*
- *When loading paper, take care not to trap or injure your fingers.*
- *During operation, rollers for transporting the paper and originals revolve. A safety device has been installed so that the machine can be operated safely. But take care not to touch the machine during operation. Otherwise, an injury might occur.*

Handling the Machine's Supplies

WARNING:

- *Do not incinerate toner (new or used) or toner containers. Doing so risks burns. Toner will ignite on contact with naked flame.*

- *Do not store toner (new or used) or toner containers anywhere near naked flames. Doing so risks fire and burns. Toner will ignite on contact with naked flame.*

- *Do not use a vacuum cleaner to remove spilled toner (including used toner). Absorbed toner may cause a fire or explosion due to electrical contact flickering inside the vacuum cleaner. However, it is possible to use a vacuum cleaner that is explosion-proof and dust ignition-proof. If toner is spilled on the floor, remove the spilled toner slowly using a wet cloth, so that the toner is not scattered.*

- *The following explains the warning messages on the plastic bag used in this product's packaging.*
 - *Keep the polythene materials (bags, gloves, etc.) supplied with this machine away from babies and small children at all times. Suffocation can result if polythene materials are brought into contact with the mouth or nose.*

⚠ CAUTION:

- *When replacing a toner or waste toner container or consumables with toner, make sure that the toner does not splatter. Put the waste consumables in a bag after they are removed. For consumables with a lid, make sure that the lid is shut.*

- *Do not crush or squeeze toner containers. Doing so can cause toner spillage, possibly resulting in dirtying of skin, clothing, and floor, and accidental ingestion.*

- *Store toner (new or used), toner containers, and components that have been in contact with toner out of reach of children.*

- *If toner or used toner is inhaled, gargle with plenty of water and move into a fresh air environment. Consult a doctor if necessary.*

- *If toner or used toner gets into your eyes, flush immediately with large amounts of water. Consult a doctor if necessary.*

- *If toner or used toner is swallowed, dilute by drinking a large amount of water. Consult a doctor if necessary.*

- *When removing jammed paper or replacing toner, avoid getting toner (new or used) on your clothing. If toner comes into contact with your clothing, wash the stained area with cold water. Hot water will set the toner into the fabric and make removing the stain impossible.*

- *When removing jammed paper or replacing toner, avoid getting toner (new or used) on your skin. If toner comes into contact with your skin, wash the affected area thoroughly with soap and water.*

- *Do not attempt to print on stapled sheets, aluminum foil, carbon paper, or any kind of conductive paper. Doing so risks fire.*

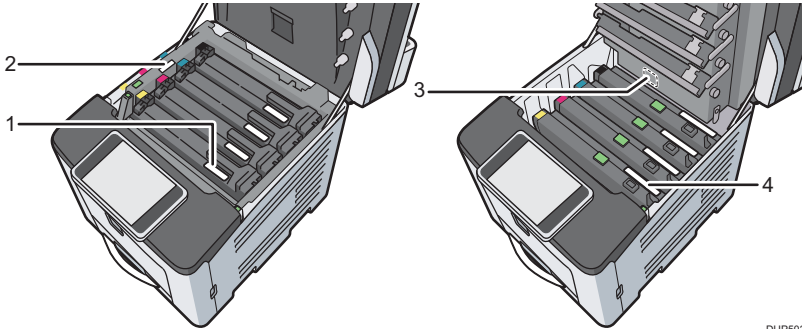
- *Keep SD cards or USB flash memory devices out of reach of children. If a child accidentally swallows an SD card or USB flash memory device, consult a doctor immediately.*

4.Safety Labels of This Machine

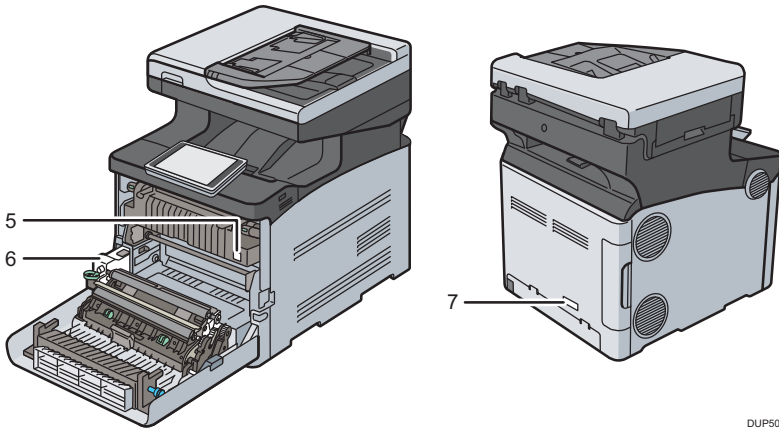
This section explains the machine's safety information labels.

Positions of ⚠️ WARNING and ⚠️ CAUTION labels

This machine has labels for ⚠️WARNING and ⚠️CAUTION at the positions shown below. For safety, please follow the instructions and handle the machine as indicated.



DUP502



DUP501



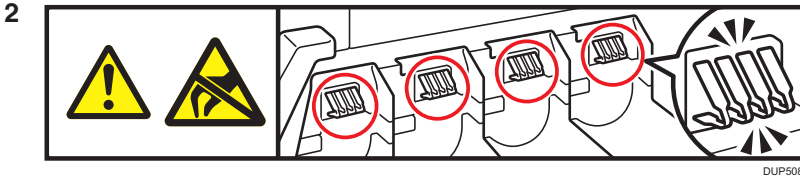
Do not incinerate toner (new or used) or toner containers. Doing so risks burns. Toner will ignite on contact with naked flame.

Do not store toner, used toner, or toner containers in a place with an open flame. The toner might ignite and cause burns of a fire.

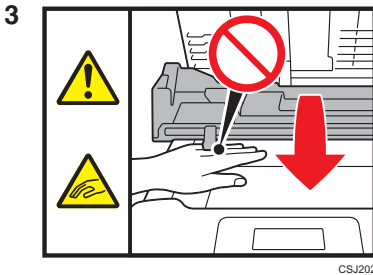
Disposal should take place at an authorized dealer or an appropriate collection site. If you dispose of the used toner containers yourself, dispose of them according to local regulations.

Do not use the cleaner to suck spilled toner (including used toner). Sucked toner may cause firing or explosion due to electrical contact flickering inside the cleaner. However, it is possible to use the cleaner designed for dust explosion-proof purpose. If toner is spilled over the floor, sweep up spilled toner slowly and clean remainder with wet cloth.

Store toner (new or used), toner containers, and components that have been in contact with toner out of reach of children.



Be careful not to touch the terminals on the ID part. Doing so may cause static electricity to occur, and damage the machine.



Be careful not to trap your fingers when opening or closing the inner cover.



The inside of the machine could be very hot. Do not touch the parts with a label indicating the “hot surface”. Otherwise, an injury might occur.



The machine weighs approximately 41.5 kg (91.5 lb.). When moving the machine, use the inset grips on both sides, and lift slowly in pairs. The machine will break or cause injury if dropped.

Power Switch Symbols

The meanings of the symbols for the switches on this machine are as follows:

-  : STANDBY

5. Other Information for This Machine

Duplication and Printing Prohibited

Do not copy or print any item for which reproduction is prohibited by law. Copying or printing the following items is generally prohibited by local law: bank notes, revenue stamps, bonds, stock certificates, bank drafts, checks, passports, driver’s licenses. The preceding list is meant as a guide only and is not inclusive. We assume no responsibility for its completeness or accuracy. If you have any questions concerning the legality of copying or printing certain items, consult with your legal advisor.

Notes to users in the United States of America

FCC Rules

Note:

This equipment has been tested and found to comply with the limits for a Class B digital device, pursuant to Part 15 of the FCC Rules. These limits are designed to provide reasonable protection against harmful interference in a residential installation. This equipment generates, uses and can radiate radio frequency energy and, if not installed and used in accordance with the instructions, may cause harmful interference to radio communications. However, there is no guarantee that interference will not occur in a particular installation. If this equipment does cause harmful interference to radio or television reception, which can be determined by turning the equipment off and on, the user is encouraged to try to correct the interference by one or more of the following measures:

- Reorient or relocate the receiving antenna.
- Increase the separation between the equipment and receiver.
- Connect the equipment into an outlet on a circuit different from that to which the receiver is connected.
- Consult the dealer or an experienced radio /TV technician for help.

Caution:

Changes or modifications not expressly approved by the party responsible for compliance could void the user’s authority to operate the equipment.

This transmitter must not be co-located or operated in conjunction with any other antenna or transmitter.

Frequency Tolerance: 8.32 ppm

Compliance with FCC requirement 15.407(c)

Data transmission is always initiated by software, which is then passed down through the MAC, through the digital and analog baseband, and finally to the RF chip. Several special packets are initiated by the MAC. These are the only ways the digital baseband portion will turn on the RF transmitter, which it then turns off at the end of the packet. Therefore, the transmitter will be on only while one of the aforementioned packets is being transmitted. In other words, this device automatically discontinues transmission in case of either absence of information to transmit or operational failure.

This equipment complies with FCC radiation exposure limits set forth for an uncontrolled environment and meets the FCC radio frequency (RF) Exposure Guidelines. This equipment should be installed and operated keeping the radiator at least 20 cm or more away from person's body (excluding extremities: hands, wrists, feet and ankles).

Declaration of Conformity

This device complies with Part 15 of the FCC Rules.

Operation is subject to the following two conditions:

- (1) This device may not cause harmful interference, and
- (2) This device must accept any interference received, including interference that may cause undesired operation.

Responsible party: Ricoh USA, Inc.

Address: 70 Valley Stream Parkway Malvern, Pennsylvania 19355

Telephone number: 610-296-8000

Product Name: Multi Function Peripheral

Model Number: SP C360SFNw, SP C361SFNw

Notes to Users in the State of California (Notes to Users in USA)

Perchlorate Material - special handling may apply. See: www.dtsc.ca.gov/hazardouswaste/perchlorate

Notes to Canadian Users of Wireless Devices

This device complies with Industry Canada's licence-exempt RSSs.

Operation is subject to the following two conditions:

- (1) This device may not cause interference, and
- (2) This device must accept any interference received, including interference that may cause undesired operation of the device.

5150-5250 MHz band is restricted to indoor operation only.

High-power radars are allocated as primary users (i.e. priority users) of the bands 5250-5350 MHz and 5650-5850 MHz and these radars could cause interference and/or damage to LE-LAN devices.

Compliance with ISED requirement RSS-247 6.4 a) Data transmission is always initiated by software, which is the passed down through the MAC, through the digital and analog baseband, and finally to the RF chip. Several special packets are initiated by the MAC. These are the only ways the digital baseband portion will turn on the RF transmitter, which it then turns off at the end of the packet. Therefore, the transmitter will be on only while one of the aforementioned packets is being transmitted. In other words, this device automatically discontinues transmission in case of either absence of information to transmit or operational failure.

This equipment complies with IC radiation exposure limits set forth for an uncontrolled environment and meets RSS-102 of the IC radio frequency (RF) Exposure rules. This equipment should be installed and operated keeping the radiator at least 20cm or more away from person's body (excluding extremities: hands, wrists, feet and ankles).

5250-5350 MHz band is restricted to indoor operation only.

Remarques à l'attention des utilisateurs canadiens d'appareils sans fil

Le présent appareil est conforme aux CNR d'Industrie Canada applicables aux appareils radio exempts de licence.

L'exploitation est autorisée aux deux conditions suivantes :

- (1) l'appareil ne doit pas produire de brouillage, et
- (2) l'appareil doit accepter tout brouillage radioélectrique subi, même si le brouillage est susceptible d'en compromettre le fonctionnement.

La bande 5150-5250 MHz est restreinte à une utilisation à l'intérieur seulement.

Les radars de haute puissance sont désignés utilisateurs principaux (c.-à-d., qu'ils ont la priorité) pour les bandes 5250-5350 MHz et 5650-5850 MHz, et ces radars pourraient causer du brouillage et/ou des dommages aux dispositifs LAN-EL.

Conformité à la norme CNR-247 6.4 a) La transmission des données est toujours initiée par le logiciel, puis les données sont transmises par l'intermédiaire du MAC, par la bande de base numérique et analogique et, enfin, à la puce RF. Plusieurs paquets spéciaux sont initiés par le MAC. Ce sont les seuls moyens pour qu'une partie de la bande de base numérique active l'émetteur RF, puis désactive celui-ci à la fin du paquet. En conséquence, l'émetteur reste uniquement activé lors de la transmission d'un des paquets susmentionnés. En d'autres termes, ce dispositif interrompt automatiquement toute transmission en cas d'absence d'information à transmettre ou de défaillance.

Cet équipement est conforme aux limites d'exposition aux rayonnements énoncées pour un environnement non contrôlé et respecte les règles d'exposition aux fréquences radioélectriques (RF)

CNR-102 de l'IC. Cet équipement doit être installé et utilisé en gardant une distance de 20 cm ou plus entre le dispositif rayonnant et le corps (à l'exception des extrémités : mains, poignets, pieds et chevilles).

La bande 5250-5350 MHz est restreinte à une utilisation à l'intérieur seulement.

Notes to the Wireless Function

The product uses the 2.4 GHz frequency range for communication. Communications using radio waves may be interrupted by noise or interference. If you want to use this product for external communication, please be aware that communication failures may occur.

★ Important

- It is prohibited by law to disassemble or modify this product. The company takes no responsibility for illegal modifications that are made to the wireless module of this product.
- The company takes no responsibility for financial losses, such as damages incurred due to communication failures, arising from failures, malfunctions, or defects of the wireless LAN and Bluetooth function, or arising from the operating environment, communication failures, power outages, or other external factors.
- No measures to prevent or block data tampering are available for devices that use radio waves for communication. The company takes no responsibility for security problems arising due to wireless LAN and Bluetooth specifications or other conditions.

↓ Note

- The frequency range used by this product may also be used by other products (industrial, scientific, or medical devices) manufactured by other companies. The outdoor use of wireless devices may be restricted. Pay attention to where you use this function.
- To export this product, conform with the Foreign Exchange and Foreign Trade Act, the Export Administration Regulations, and other related laws and regulations, and conduct the necessary proceedings specified by them.
- Wireless LAN function's SSID is not configured as a factory default. If you want to use SSID, you must configure the SSID setting yourself.
- Some applications of this product use the wireless function. Depending on the environment where you use the wireless function, communication may be interrupted due to radio wave interference.
- Wireless LAN function's usable frequencies vary depending on the access point you use.
- The wireless LAN function is disabled as a factory default. To use the applications of this product that use the wireless LAN function, you need to enable the wireless LAN function.
- The Bluetooth function is disabled as a factory default. To use the applications of this product that use the Bluetooth function, you need to enable the Bluetooth function.
- The Bluetooth unit is not guaranteed to work with all supported devices.

Trademarks

The Bluetooth® word mark and logos are registered trademarks owned by Bluetooth SIG, Inc. and any use of such marks by Ricoh Company, Ltd. is under license.

- To service representatives (in the case of installation by service representatives only):

Give this document to the user when the installation of this product is complete.

Part 68 of the FCC Rules regarding Facsimile Unit

1. This equipment complies with Part 68 of the FCC rules and requirements adopted by the ACTA. On the cover of this equipment is a label that contains, among other information, a product identifier in the format US:AAAEQ##TXXXXX. If requested, this number must be provided to the telephone company.
2. This equipment uses the RJ11C USOC jack.
3. A plug and jack used to connect this equipment to the premises wiring and telephone network must comply with the applicable FCC Part 68 rules and requirements adopted by the ACTA. A compliant telephone cord and modular plug is provided with this product. It is designed to be connected to a compatible modular jack that is also compliant. See installation instructions for detail.
4. The REN is used to determine the number of devices that may be connected to a telephone line. Excessive RENs on a telephone line may result in the devices not ringing in response to an incoming call. In most but not all areas, the sum of RENs should not exceed five (5.0). To be certain of the number of devices that may be connected to a line, as determined by the total RENs, contact the local telephone company. The REN for this product is part of the product identifier that has the format US:AAAEQ##TXXXXX. The digits represented by ## are the REN without a decimal point (e.g., 03 is a REN of 0.3).
5. If this equipment causes harm to the telephone network, the telephone company will notify you in advance that temporary discontinuance of service may be required. But if advance notice is not practical, the telephone company will notify the customer as soon as possible. Also, you will be advised of your right to file a complaint with the FCC if you believe it is necessary.
6. The telephone company may make changes in its facilities, equipment, operations or procedures that could affect the operation of the equipment. If this happens the telephone company will provide advance notice in order for you to make necessary modifications to maintain uninterrupted service.
7. If trouble is experienced with this equipment, for repair or warranty information, please contact Ricoh USA, Inc. Customer Support Department at 1-800-FASTFIX. If this device is causing problems with your telephone network, the telephone company may request that you disconnect the equipment until the problem is resolved.
8. In the event of operation problems (document jam, copy jam, communication error indication), see the manual provided with this machine for instruction on resolving the problem.

9. Connection to party line service is subject to state tariffs. Contact the state public utility commission, public service commission or corporation commission for information.

10. If your home has specially wired alarm equipment connected to the telephone line, ensure the installation of this equipment does not disable your alarm equipment. If you have questions about what will disable alarm equipment, consult your telephone company or a qualified installer.

WHEN PROGRAMMING EMERGENCY NUMBERS AND/OR MAKING TEST CALLS TO EMERGENCY NUMBERS:

1. Remain on the line and briefly explain to the dispatcher the reason for the call before hanging up.
2. Perform such activities in the off-peak hours, such as early morning hours or late evenings.

The Telephone Consumer Protection Act of 1991 makes it unlawful for any person to use a computer or other electronic device, including FAX machines, to send any message unless such message clearly contains in a margin at the top or bottom of each transmitted page or on the first page of the transmission, the date and time it is sent and an identification of the business or other entity, or other individual sending the message and the telephone number of the sending machine or such business, other entity, or individual. (The telephone number provided may not be a 900 number or any other number for which charges exceed local or long-distance transmission charges.)

In order to program this information into your FAX machine, you should complete the following steps: Follow the FAX HEADER programming procedure in the Programming chapter of the operating instructions to enter the business identification and telephone number of the terminal or business. This information is transmitted with your document by the FAX HEADER feature. In addition to the information, be sure to program the date and time into your machine.

Important Safety Instructions for Facsimile Unit

When using your telephone equipment, basic safety precautions should always be followed to reduce the risk of fire, electric shock and injury to persons, including the following:

- Do not use this product near water, for example, near a bath tub, wash bowl, kitchen sink or laundry tub, in a wet basement or near a swimming pool.
- Avoid using a telephone during an electrical storm. There may be a remote risk of electric shock from lightning.
- Do not use a telephone in the vicinity of a gas leak to report the leak.

Save these instructions.

IMPORTANTES MESURES DE SÉCURITÉ de l'unité Fax

Certaines mesures de sécurité doivent être prises pendant l'utilisation de matériel téléphonique afin de réduire les risques d'incendie, de choc électrique et de blessures. En voici quelques-unes:

- Ne pas utiliser l'appareil près de l'eau, p.ex., près d'une baignoire, d'un lavabo, d'un évier de cuisine, d'un bac à laver, dans un sous-sol humide ou près d'une piscine.
- Éviter d'utiliser le téléphone (sauf s'il s'agit d'un appareil sans fil) pendant un orage électrique. Ceci peut présenter un risque de choc électrique causé par la foudre.
- Ne pas utiliser l'appareil téléphonique pour signaler une fuite de gaz s'il est situé près de la fuite.

Conserver ces instructions.

Notes to Canadian Users of Facsimile Unit

This product meets the applicable Innovation, Science and Economic Development Canada technical specifications.

The Ringer Equivalence Number (REN) indicates the maximum number of devices allowed to be connected to a telephone interface . The termination of an interface may consist of any combination of devices subject only to the requirement that the sum of the RENs of all the devices not exceed five .

Remarques à l'attention des utilisateurs canadiens de l'unité Fax

Le présent produit est conforme aux spécifications techniques applicables d'Innovation, Sciences et Développement économique Canada.

L'indice d'équivalence de la sonnerie (IES) sert à indiquer le nombre maximal de dispositifs qui peuvent être raccordés à une interface téléphonique . La terminaison d'une interface peut consister en une combinaison quelconque de dispositifs, à la seule condition que la somme des IES de tous les dispositifs n'excède pas cinq.

Leer antes de empezar

1. Información

2. Símbolos de seguridad de esta máquina

3. Información de seguridad

4. Etiquetas de seguridad de esta máquina

5. Más información sobre esta máquina

Para información no contenida en los manuales en papel, consulte los manuales online de nuestra página web (<http://www.rioh.com/>).



Lea atentamente este manual antes de utilizar la máquina y guárdelo a mano para consultarlo en el futuro. Para un uso seguro y correcto, lea "Información de seguridad" antes de utilizar la máquina.

Español



1. Información

Introducción

Este manual contiene instrucciones detalladas sobre el funcionamiento e información acerca del uso de esta máquina. Para su seguridad, lea este manual detenidamente antes de utilizar la máquina. Guarde este manual y téngalo siempre a mano para consultarlo.

Lista de manuales

Nombre del manual	Materiales de la máquina	Materiales de nuestra página web
Guía de usuario	-	Manual en PDF
Leer antes de empezar	Manual impreso	Manual en PDF
Guía de Instalación Rápida	Manual impreso	Manual en PDF
Instrucciones de uso	-	Manual HTML
Guía de seguridad	-	Manual HTML
Guía de instalación	Manual en PDF	Manual en PDF

Nota

- Las Instrucciones de uso y la Guía de instalación están disponibles en inglés, alemán, francés, italiano, español, neerlandés y ruso.
- Para más información sobre cada manual, consulte las Instrucciones de uso en nuestra página web.

Alimentación eléctrica

120-127 V, 60 Hz, 9 A

Asegúrese de conectar el cable de alimentación a una fuente de alimentación del tipo arriba indicado.

Exención de responsabilidades

En la medida en que lo permita la legislación aplicable, el fabricante no será responsable de ningún daño causado por fallos de esta máquina, pérdida de documentos o datos, o el uso o no uso de este producto y los manuales de producto que se proporcionan con el mismo. Asegúrese siempre de realizar copias o tener copias de seguridad de los datos registrados en esta máquina. Es posible que se borren documentos y datos por un error operativo o alguna avería de la máquina. En ningún caso el fabricante será responsable de documentos creados por usted mediante esta máquina, ni cualquier resultado de los datos ejecutados por usted.


Notas

Para una buena calidad de impresión, el fabricante recomienda el uso de tóner original del fabricante.

El fabricante no se hace responsable de los daños o gastos derivados del uso de piezas que no sean las originales del fabricante en sus productos de oficina.

2. Símbolos de seguridad de esta máquina

El significado de los símbolos de seguridad para esta máquina es el siguiente:

	Precaución
	Precaución, superficie caliente
	No tocar
	No tirar al fuego
	No usar un aspirador
	Mantener fuera del alcance de los niños
	Prohibición
	Señal general de acción obligatoria
	Atención Dispositivo sensible a las descargas electrostáticas

3. Información de seguridad

Seguridad durante el funcionamiento

En este manual se utilizan los siguientes símbolos:

⚠ ADVERTENCIA:

Indica una situación de peligro potencial que podría causar la muerte o lesiones graves si no se siguen las instrucciones.

⚠ PRECAUCIÓN:

Indica una situación de peligro potencial que podría causar lesiones leves o moderadas o daños a la propiedad si no se siguen las instrucciones.

Entornos en los que puede utilizarse la máquina

⚠ ADVERTENCIA:

• *No utilice aerosoles ni disolventes inflamables cerca de la máquina. Asimismo, evite colocar estos elementos cerca de esta máquina. Hacerlo podría producir una descarga eléctrica o un incendio.*

• *No coloque jarrones, macetas, vasos, artículos de aseo, medicamentos, objetos metálicos pequeños o recipientes con agua o líquidos encima de la máquina o en sus proximidades. Si se derrama líquido o si los objetos o su contenido caen en la máquina podría producirse un incendio o una descarga eléctrica.*

⚠ PRECAUCIÓN:

• *Mantenga la máquina libre de humedad y polvo. De lo contrario, podría producirse un incendio o una descarga eléctrica.*

• *No coloque la máquina en una superficie inestable o inclinada. Si se vuelca, podría producir lesiones.*

• *No coloque objetos de peso sobre la máquina. De lo contrario, la máquina podría caerse y provocar daños físicos.*

• *Verifique que la habitación en la que se utiliza la máquina está bien ventilada y es espaciosa. Una buena ventilación resulta especialmente importante si la máquina se utiliza con mucha frecuencia.*

• *No bloquee los orificios de ventilación de la máquina. De hacerlo, podría producirse un incendio a causa del sobrecalentamiento de los componentes internos.*

Manipulación de cables y enchufes eléctricos

⚠ ADVERTENCIA:

- *No utilice fuentes de alimentación que no se ajusten a las especificaciones indicadas en este manual. Hacerlo podría producir una descarga eléctrica o un incendio.*
- *No utilice frecuencias que no se ajusten a las especificaciones indicadas en este manual. Hacerlo podría producir una descarga eléctrica o un incendio.*
- *No utilice adaptadores de múltiples tomas. Hacerlo podría producir una descarga eléctrica o un incendio.*
- *No utilice cables alargadores. Hacerlo podría producir una descarga eléctrica o un incendio.*
- *No utilice cables de alimentación dañados, rotos o modificados. Tampoco utilice cables que hayan quedado atrapados bajo objetos pesados, doblados o de los que se ha tirado con fuerza. De lo contrario podría producirse un incendio o una descarga eléctrica.*
- *Si el cable de alimentación está dañado y sus cables internos quedan expuestos o rotos, póngase en contacto con un representante de servicio técnico para obtener uno de repuesto. Si utiliza cables de alimentación en mal estado podría producirse un incendio o una descarga eléctrica.*

Debe desconectar el enchufe de la toma de corriente al menos una vez al año y comprobar lo siguiente:

- *Que no haya marcas de quemaduras en el enchufe.*
- *Que los salientes del enchufe no estén deformados.*

Si se produce alguna de las condiciones anteriores, no utilice el enchufe y consulte a su distribuidor o representante del servicio técnico. El uso de enchufes dañados podría producir incendios o descargas eléctricas.

Desconecte el cable de corriente de la toma de pared al menos una vez al año y compruebe lo siguiente:

- *Que los cables del interior del cable de corriente no se vean, estén rotos, etc.*
- *Que el recubrimiento del cable de corriente no esté dañado, que no tenga cortes o esté deformado.*
- *Que al doblar el cable de corriente, la máquina no se apague y se encienda.*
- *Que el cable o partes del cable no estén demasiado calientes.*
- *Que el cable de corriente no esté dañado.*

Si se produce alguna de las condiciones anteriores, no utilice el cable de alimentación y consulte a su distribuidor o representante de servicio. El uso de cables en mal estado podría producir incendios o descargas eléctricas.

- *Toucher les clavijas du câble d'alimentation avec un objet métallique peut provoquer un incendie ou une décharge électrique.*

- *El cable de alimentación suministrado solo puede utilizarse con esta máquina. No lo utilice con otros dispositivos. Hacerlo podría producir una descarga eléctrica o un incendio.*

- *Nunca manipule el enchufe del cable de alimentación con las manos mojadas. Hacerlo podría provocar una descarga eléctrica.*

- *Para reducir el riesgo de incendio, utilice solo un cable de línea de telecomunicaciones AWG N.º 26 o más largo.*

⚠ ATENCIÓN

Pour réduire le risque d'incendie, utiliser uniquement des conducteurs de télécommunications 26 AWG ou de section supérieure.

⚠ PRECAUCIÓN:

- *Introduzca el enchufe del cable de alimentación totalmente en la toma de la pared. Un enchufe mal introducido puede generar inestabilidades, con el consiguiente riesgo de una acumulación excesiva de calor.*

- *Si no va a utilizar la máquina durante varios días, desconecte el cable de alimentación de la red.*

- *Cuando desconecte el cable de alimentación de la red, tire siempre del enchufe, nunca del cable. Si tira del cable, éste podría estropearse. Si utiliza cables de alimentación en mal estado podría producirse un incendio o una descarga eléctrica.*

- *Asegúrese de desconectar el enchufe de la toma de la pared y de limpiar las clavijas, así como la zona de alrededor al menos una vez al año. Si deja que se acumule el polvo en el enchufe, podría producirse un incendio.*

- *Si realiza operaciones de mantenimiento en la máquina, desconecte siempre el cable de alimentación de la red.*

Manipulación de la máquina principal

⚠ ADVERTENCIA:

- *Coloque la máquina lo más cerca posible de una toma eléctrica. De este modo podrá desconectar fácilmente el cable de alimentación en caso de emergencia.*

- *Si la máquina desprende humo o malos olores, o si presenta un comportamiento poco habitual, debe apagarla de inmediato. Tras apagarla, desconecte el cable de alimentación de la toma de red. Seguidamente, póngase en contacto con un representante de servicio técnico y notifíquelo el problema. Entretanto, no utilice la máquina. Hacerlo podría producir una descarga eléctrica o un incendio.*

- Si penetran en la máquina objetos metálicos, agua u otros líquidos, debe apagarla de inmediato pulsando primero el interruptor de funcionamiento y después el interruptor principal. Tras apagarla, desconecte el cable de alimentación de la toma de red. Seguidamente, póngase en contacto con un representante comercial o de servicio técnico y notifíquelo el problema. Entretanto, no utilice la máquina. Hacerlo podría producir una descarga eléctrica o un incendio.

- Al reemplazar la unidad de fusión, apague el interruptor principal y espere al menos 30 minutos antes de proceder con la sustitución.

- No toque la máquina si ha caído un rayo en una zona próxima. Hacerlo podría provocar una descarga eléctrica.

- A continuación se explican los mensajes de advertencia acerca de la bolsa de plástico utilizada en el embalaje del producto.
 - Mantenga los materiales de polietileno (como bolsas, etc.) suministrados con la máquina siempre alejados de niños y bebés. El contacto con materiales de polietileno a través de la boca o la nariz puede producir asfixia.

- A continuación, se explican los mensajes de advertencia que se indican en la bolsa de plástico utilizada para el embalaje de este producto.
 - Mantenga los materiales de polietileno (como bolsas o guantes) suministrados con la máquina siempre alejados de niños y bebés. El contacto con materiales de polietileno a través de la boca o la nariz puede producir asfixia.

- Si la máquina vuelca o si se rompe la tapa u otra pieza, debe apagar la corriente inmediatamente. Tras apagarla, desconecte el cable de alimentación de la toma de red. Seguidamente, póngase en contacto con un representante de servicio técnico y notifíquelo el problema. Entretanto, no utilice la máquina. Hacerlo podría producir una descarga eléctrica o un incendio.

⚠ PRECAUCIÓN:

- Desenchufe el cable de alimentación de la toma de la pared antes de mover la máquina. Mientras la mueve, tenga cuidado de que el cable de corriente no quede debajo de la máquina, ya que podría resultar dañado. Si no toma estas precauciones, podría provocar un incendio o una descarga eléctrica.

- Si tiene que mover la máquina cuando está colocada la unidad de bandeja de papel opcional, no la empuje por la sección superior de la unidad principal. Si lo hace, la unidad de bandeja de papel opcional podría separarse y provocar lesiones.

- La máquina pesa aproximadamente 41,5 kg (91,5 lb.).
- Cuando traslade la máquina, sujétela por las asas situadas a ambos lados y, a continuación, levántela lentamente. Si la levanta de forma brusca o la deja caer, podrían producirse daños físicos.

- *Antes de instalar o retirar opciones, desenchufe siempre los cables de alimentación de la toma de corriente y deje pasar algún tiempo para que la unidad principal se enfríe por completo. Si no sigue estas precauciones, podría sufrir quemaduras.*

- *No mire directamente la luz, puede provocarle lesiones en la vista.*

Manipulación del interior de la máquina

⚠ ADVERTENCIA:

- *No retire tapas ni tornillos si no se indica explícitamente en el presente manual. El interior de la máquina contiene componentes de alto voltaje que pueden representar un riesgo de descarga eléctrica. Si uno de los componentes internos de la máquina debe ajustarse o repararse, póngase en contacto con su representante comercial o de servicio técnico.*
- *No intente desmontar la máquina ni modificarla. De lo contrario, se expone a sufrir quemaduras o una descarga eléctrica.*

⚠ PRECAUCIÓN:

- *Si el interior de la máquina no se limpia periódicamente, es posible que se acumule el polvo. La acumulación excesiva de polvo en el interior de la máquina podría provocar incendios o averías. Consulte con un comercial o con el servicio técnico para obtener información sobre el procedimiento y las tarifas para limpiar el interior de la máquina.*

- *Algunos de los componentes internos de la máquina alcanzan temperaturas muy elevadas. Por este motivo, debe extremar las precauciones al retirar papel atascado. De lo contrario, podría sufrir quemaduras.*

- *Al retirar el papel atascado, tenga cuidado de no hacerse daño ni pillarse los dedos.*

- *Al cargar el papel, vaya con cuidado para evitar que los dedos queden atrapados.*

- *Durante el funcionamiento de la máquina, se accionan los rodillos de transporte del papel y los originales. La máquina dispone de un mecanismo de seguridad para un funcionamiento seguro. Sin embargo, no toque la máquina mientras esté en marcha. De lo contrario pueden producirse lesiones.*

Manipulación de los consumibles de la máquina

⚠ ADVERTENCIA:

- *No queme el tóner (nuevo o usado) ni los recipientes de tóner. Si lo hace, podría sufrir quemaduras. El tóner es inflamable en contacto con una llama abierta.*

• *No guarde el tóner (nuevo o usado) ni los recipientes de tóner en lugares cerca de llamas abiertas. Si lo hace, podría sufrir quemaduras o provocar un incendio. El tóner es inflamable en contacto con una llama abierta.*

• *No utilice un aspirador para eliminar el tóner derramado (incluido el tóner usado).*

El tóner aspirado puede causar un incendio o explosión por contacto eléctrico en el interior del aspirador.

Sin embargo, sí que es posible utilizar un aspirador a prueba de explosiones y de incendios.

Si se vierte tóner sobre el suelo, limpie el tóner vertido lentamente utilizando un paño seco, para que el tóner no se disperse.

• *A continuación se explican los mensajes de advertencia acerca de la bolsa de plástico utilizada en el embalaje del producto.*

- *Mantenga los materiales de polietileno (como bolsas o guantes) suministrados con la máquina siempre alejados de niños y bebés. El contacto con materiales de polietileno a través de la boca o la nariz puede producir asfixia.*

⚠ PRECAUCIÓN:

• *Al sustituir un tóner, un depósito de tóner residual o consumibles con tóner, asegúrese de que el tóner no salpique. Coloque los consumibles residuales en una bolsa tras extraerlos. Si el consumible tiene una tapa, asegúrese de que la tapa esté cerrada.*

• *No rompa ni presione los recipientes de tóner. Si lo hace, podría verterse el tóner y manchar la piel, la ropa o el suelo e incluso provocar una ingesta accidental.*

• *Almacene el tóner (nuevo o usado), los contenedores de tóner, y los componentes que hayan estado en contacto con el tóner fuera del alcance de los niños.*

• *En caso de inhalar el contenido del tóner, haga gárgaras con agua abundante y vaya a un ambiente con aire fresco. Consulte a un médico si fuera necesario.*

• *Si le entra tóner o tóner usado en los ojos, láveselos inmediatamente con abundante agua. Consulte a un médico si fuera necesario.*

• *Si ingiere tóner o tóner usado, beba abundante agua para disolverlo. Consulte a un médico si fuera necesario.*

• *Al retirar papel atascado o sustituir el tóner, procure no mancharse la ropa. Si se mancha la ropa con tóner, limpie la zona afectada con agua fría. Si usa agua caliente, el tóner quedará fijado a la ropa y no se podrá eliminar la mancha.*

• *Al retirar papel atascado o sustituir el tóner, procure no mancharse la piel. Si el tóner entra en contacto con la piel, lave la zona afectada con agua abundante y jabón.*

• *No intente imprimir sobre hojas grapadas, papel de aluminio, papel autocopiativo ni ningún tipo de papel conductor. Si lo hace, podría provocar un incendio.*

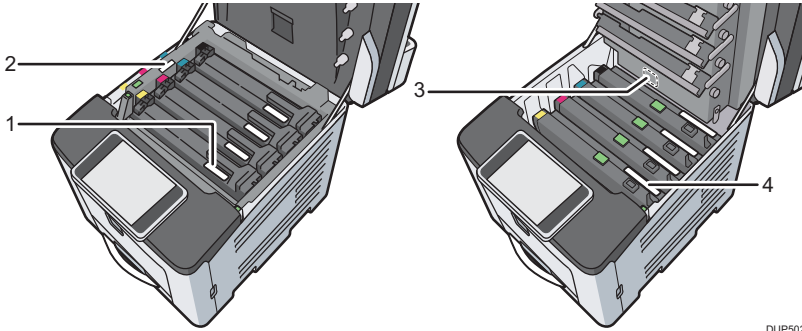
• *Guarde las tarjetas SD y dispositivos de memoria flash USB fuera del alcance de los niños. Si algún niño ingiere por accidente una tarjeta SD o dispositivo de memoria flash USB, consulte inmediatamente con un médico.*

4. Etiquetas de seguridad de esta máquina

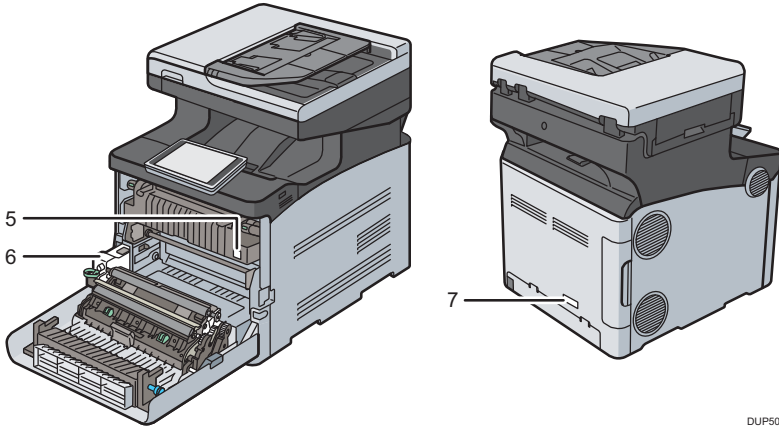
En esta sección se explican las etiquetas de información de seguridad de la máquina.

Posición de las etiquetas de **⚠ADVERTENCIA** y **⚠PRECAUCIÓN**

Esta máquina dispone de etiquetas de **⚠ADVERTENCIA** y **⚠PRECAUCIÓN** en los siguientes lugares. Por su seguridad, siga las instrucciones y manipule la máquina tal como se indica.



DUP502



DUP501



No queme el tóner (nuevo o usado) ni los recipientes de tóner. Si lo hace, podría sufrir quemaduras. El tóner es inflamable en contacto con una llama abierta.

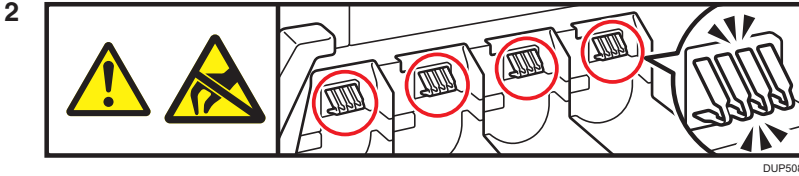
No almacene el tóner, el tóner usado, ni los contenedores de tóner en un lugar con una llama abierta. El tóner podría arder y provocar quemaduras o un incendio.

Para su eliminación, diríjase a un distribuidor autorizado o un punto de recogida selectiva.

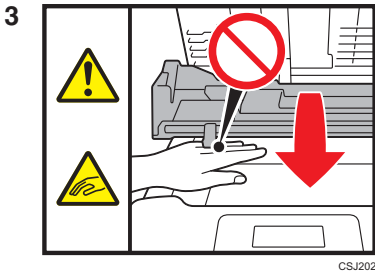
Si elimina los contenedores de tóner usado por su cuenta, hágalo de conformidad con las normativas de su municipio.

No utilice un aspirador para limpiar el tóner derramado (incluido el tóner usado). El tóner aspirado puede causar un incendio o explosión por contacto eléctrico en el interior del aspirador. No obstante, puede utilizar el aspirador a prueba de explosiones de polvo. Si se derrama tóner en el suelo, bárralo despacio y limpie los restos con un trapo húmedo.

Almacene el tóner (nuevo o usado), los contenedores de tóner, y los componentes que hayan estado en contacto con el tóner fuera del alcance de los niños.



Tenga cuidado de no tocar los terminales de la parte del ID. De lo contrario, podría crearse electricidad estática y dañar la máquina.



Tenga cuidado de no pillarse los dedos al abrir o cerrar la tapa interna.



El interior de la máquina podría alcanzar temperaturas muy elevadas. No toque las partes identificadas con la etiqueta “hot surface” (superficie caliente). De lo contrario pueden producirse lesiones.



La máquina pesa aproximadamente 41,5 kg (91,5 lb.). Cuando mueva la impresora, utilice las asas de sujeción en ambos laterales y levántela con cuidado. La máquina se romperá o provocará daños si cae.

Símbolos del interruptor de alimentación

Los símbolos de los interruptores de esta máquina significan lo siguiente:

-  : EN ESPERA

5. Más información sobre esta máquina

Duplicación e impresión prohibidas

No realice copias ni imprima ningún artículo cuya reproducción esté prohibida por la ley.

La copia o la impresión de los siguientes artículos, normalmente está prohibida por la ley:

billetes bancarios, timbres fiscales, bonos, certificados de acciones, efectos bancarios, cheques, pasaportes y permisos de conducir. La lista anterior es tan solo una guía orientativa y no contiene todas las prohibiciones. No asumimos responsabilidad alguna relacionada con su precisión e integridad. Si tiene alguna pregunta relacionada con la legalidad de copiar o imprimir ciertos artículos, póngase en contacto con su asesor legal.

Notas para usuarios en los Estados Unidos de América

Normas de la FCC

Nota:

Este equipo se ha sometido a pruebas que acreditan su conformidad con los límites establecidos para los dispositivos digitales de clase B, según el apartado 15 de las normas de la FCC. Estos límites están pensados para ofrecer una protección suficiente contra las interferencias perjudiciales en instalaciones residenciales. Este aparato genera, utiliza y puede emitir energía de radiofrecuencia y, si no se instala y se utiliza de conformidad con las instrucciones, podría provocar interferencias perjudiciales para las comunicaciones por radio. Sin embargo, no se garantiza la ausencia de interferencias en una instalación concreta. Si el equipo provoca interferencias en la recepción de radio o televisión (que podrá determinar encendiendo y apagando el equipo), el usuario puede tratar de corregirlas adoptando alguna de las siguientes medidas:

- Cambie la orientación o la posición de la antena de recepción.
- Aumente la distancia que separa el equipo y el receptor.
- Conecte el equipo a una toma de un circuito diferente del circuito al que se conecta el receptor.
- Consulte con el distribuidor o con un técnico de radio o televisión experimentado.

Precaución:

Los cambios o modificaciones sin la autorización explícita de la parte responsable del cumplimiento normativo pueden invalidar la autorización del usuario para utilizar el equipo.

Este transmisor no debe colocarse ni utilizarse junto con otra antena o transmisor.

Tolerancia de frecuencia: $\pm 8,32$ ppm

En conformidad con la normativa de la FCC 15.407(c)

La transmisión de datos se iniciará siempre por el software, a través del MAC, y luego por la banda de base digital y analógica, y finalmente al chip de RF. Algunos paquetes especiales se inician desde el MAC. Estos son los únicos modos en que la base de banda digital activará el transmisor RF, el cual se apagará a continuación, al final del paquete. En consecuencia, el transmisor sólo estará activado mientras los paquetes anteriormente mencionados se están transmitiendo. Es decir, el dispositivo detendrá la transmisión automáticamente en caso de ausencia de información para transmitir o fallo de funcionamiento.

Este equipo cumple con los límites de exposición a radiación FCC establecidos para controlar los entornos y cumple con las directrices sobre exposición a radiofrecuencia (RF) FCC. Este equipo debe instalarse y utilizarse con el radiador a un mínimo de 20 cm de cualquier persona (excluidas las extremidades: manos, muñecas, pies y tobillos).

Declaración de conformidad

Este dispositivo cumple con el apartado 15 de las normas de la FCC.

El funcionamiento está sujeto a las dos condiciones siguientes:

- (1) Este dispositivo no puede provocar interferencias perjudiciales; y
- (2) Este dispositivo debe aceptar cualquier interferencia recibida, incluidas las interferencias que afecten al funcionamiento del dispositivo.

Responsable: Ricoh USA, Inc.

Dirección: 70 Valley Stream Parkway Malvern, Pennsylvania 19355

Teléfono: 610-296-8000

Nombre de producto: Multi Function Peripheral (periférico multifuncional)

Número de modelo: SP C360SFNw, SP C361SFNw

Notas para los usuarios del estado de California (Notas para los usuarios de EUA)

Material de perclorato - puede requerir una gestión especial. Vea: www.dtsc.ca.gov/hazardouswaste/perchlorate

Notas para los usuarios canadienses de dispositivos inalámbricos

Este dispositivo cumple los estándares RSS exentos de licencia de la Industry Canada.

El funcionamiento está sujeto a las dos condiciones siguientes:

- (1) este dispositivo no causa interferencias, y
- (2) este dispositivo debe aceptar cualquier interferencia, incluidas aquellas que afecten al funcionamiento del dispositivo.

La banda 5150-5250 MHz está restringida a utilizarse únicamente en interiores.

Los radares de alta potencia están asignados como usuarios principales (es decir, usuarios prioritarios) de las bandas 5250-5350 MHz y 5650-5850 MHz; estos radares pueden provocar interferencias y/o daños a dispositivos LE-LAN.

En conformité con los requisitos de ISED RSS-247 6.4 a) La transmisión de datos se iniciará siempre por el software, a través del MAC, y luego por la banda de base digital y analógica, y finalmente al chip de RF. Algunos paquetes especiales se inician desde el MAC. Estos son los únicos modos en que la base de banda digital activará el transmisor RF, el cual se apagará a continuación, al final del paquete. En consecuencia, el transmisor sólo estará activado mientras los paquetes anteriormente mencionados se están transmitiendo. Es decir, el dispositivo detendrá la transmisión automáticamente en caso de ausencia de información para transmitir o fallo de funcionamiento.

Este equipo cumple con los límites de exposición a radiación IC establecidos para controlar entornos y cumple con RSS-102 de las normas de exposición a radiofrecuencia (FC) IC. Este equipo debe instalarse y utilizarse con el radiador a un mínimo de 20 cm de cualquier persona (excluidas las extremidades: manos, muñecas, pies y tobillos).

La banda 5250-5350 MHz está restringida a utilizarse únicamente en interiores.

Remarques à l'attention des utilisateurs canadiens d'appareils sans fil

Le présent appareil est conforme aux CNR d'Industrie Canada applicables aux appareils radio exempts de licence.

L'exploitation est autorisée aux deux conditions suivantes:

- (1) l'appareil ne doit pas produire de brouillage, et
- (2) l'appareil doit accepter tout brouillage radioélectrique subi, même si le brouillage est susceptible d'en compromettre le fonctionnement.

La bande 5150-5250 MHz est restreinte à une utilisation à l'intérieur seulement.

Les radars de haute puissance sont désignés utilisateurs principaux (c.-à-d., qu'ils ont la priorité) pour les bandes 5250-5350 MHz et 5650-5850 MHz, et ces radars pourraient causer du brouillage et/ou des dommages aux dispositifs LAN-EL.

Conformité à la norme CNR-247 6.4 a) La transmission des données est toujours initiée par le logiciel, puis les données sont transmises par l'intermédiaire du MAC, par la bande de base numérique et analogique et, enfin, à la puce RF. Plusieurs paquets spéciaux sont initiés par le MAC. Ce sont les seuls moyens pour qu'une partie de la bande de base numérique active l'émetteur RF, puis désactive celui-ci à la fin du paquet. En conséquence, l'émetteur reste uniquement activé lors de la transmission d'un des paquets susmentionnés. En d'autres termes, ce dispositif interrompt automatiquement toute transmission en cas d'absence d'information à transmettre ou de défaillance.

Cet équipement est conforme aux limites d'exposition aux rayonnements énoncées pour un environnement non contrôlé et respecte les règles d'exposition aux fréquences radioélectriques (RF)

CNR-102 de l'IC. Cet équipement doit être installé et utilisé en gardant une distance de 20 cm ou plus entre le dispositif rayonnant et le corps (à l'exception des extrémités : mains, poignets, pieds et chevilles).

La bande 5250-5350 MHz est restreinte à une utilisation à l'intérieur seulement.

Notas sobre la función inalámbrica

El producto usa la gama de frecuencias de 2,4 GHz para la comunicación. Las comunicaciones a través de ondas de radio pueden verse interrumpidas por ruido o interferencias. Si desea utilizar este producto para comunicaciones externas, tenga en cuenta que podrían producirse fallos.

★ Importante

- Está prohibido por ley desmontar o modificar este producto. La empresa no se responsabiliza de las modificaciones ilegales que se hagan en el módulo inalámbrico de este producto.
- La empresa no se responsabiliza de pérdidas económicas, como daños debidos a fallos de comunicación o que sean consecuencia de fallos, errores de funcionamiento o defectos de la función Bluetooth y LAN inalámbrica, o que se produzcan debido al entorno operativo, errores de comunicación, cortes de energía u otros factores externos.
- No hay ninguna medida disponible para evitar o bloquear la manipulación no autorizada de datos para dispositivos que utilizan ondas para la comunicación. La empresa no se responsabiliza de los problemas de seguridad que surjan debido a las especificaciones de Bluetooth y LAN inalámbrica u otras situaciones.

↓ Nota

- Es posible que otros productos (dispositivos médicos, científicos o industriales) fabricados por otras empresas también utilicen la gama de frecuencias utilizada por este producto. El uso en exteriores de los dispositivos inalámbricos podría estar restringido. Preste atención a dónde utiliza esta función.
- Para exportar este producto, cumpla con la Ley de divisas y comercio exterior, la Normativa administrativa de exportación, y con cualquier otra ley o normativa pertinente. Lleve a cabo todos los procedimientos necesarios que se especifican en ellas.
- El SSID de la función LAN inalámbrica no se ha configurado como valor predeterminado de fábrica. Si quiere utilizar el SSID, debe configurar usted mismo el ajuste de SSID.
- Algunas aplicaciones de este producto utilizan la función inalámbrica. Según el entorno donde utilice la función inalámbrica, puede que la comunicación se vea interrumpida por interferencias de ondas de radio.
- Las frecuencias utilizables de la función LAN inalámbrica varían en función del punto de acceso que utilice.
- La función de LAN inalámbrica está deshabilitada de fábrica. Para utilizar las aplicaciones de este producto que usen la función de LAN inalámbrica, debe habilitar esta función.
- La función Bluetooth está deshabilitada de fábrica. Para utilizar las aplicaciones de este producto que usen la función Bluetooth, debe habilitar esta función.
- No se garantiza que la unidad Bluetooth funcione con todos los dispositivos admitidos.

Marcas comerciales

El nombre y los logotipos de Bluetooth® son marcas registradas de Bluetooth SIG, Inc. y Ricoh Company, Ltd. cuenta con la debida autorización para utilizarlos.

- Para los representantes del servicio técnico (solo en el caso de la instalación por parte de representantes del servicio técnico):

Entregue este documento al usuario una vez que se haya completado la instalación del producto.

Apartado 68 de la Reglamentación FCC acerca de la Unidad de fax

1. Este equipo cumple con el Apartado 68 de la Reglamentación FCC y los requisitos adoptados por la ACTA. En la tapa de este equipo encontrará una etiqueta que, entre más información, contiene un identificador del producto en formato US:AAAEQ##TXXXXX. En caso de solicitarse, deberá proporcionar este número a la compañía telefónica.

2. Este equipo utiliza un conector RJ11C USOC.

3. La clavija y enchufe utilizados para conectar este equipo al cableado y la red telefónica deben cumplir con las reglas aplicables del Apartado 68 de la FCC y los requisitos adoptados por la ACTA. Con este producto se suministra un cable telefónico y un conector modular en conformidad. Se ha diseñado para conectar un enchufe hembra modular compatible también en conformidad. Consulte las instrucciones de instalación para más detalles.

4. El REN se utiliza para determinar el número de dispositivos que pueden conectarse a la línea telefónica. Un número excesivo de REN en una línea telefónica puede provocar que los dispositivos no suenen ante una llamada entrante. En la mayoría de áreas, pero no en todas, la suma de REN no debería superar cinco (5,0). Para asegurarse del número de dispositivos que pueden conectarse a una línea, según lo determinado por los REN totales, contacte con la compañía de teléfonos local. El REN para este producto forma parte del identificador de producto en formato US:AAAEQ##TXXXXX. Los dígitos representados por ## son el REN sin el decimal (p.ej., 03 es el REN de 0,3).

5. Si este equipo causara alguna anomalía en la línea de teléfono, la compañía telefónica le notificaría previamente de un posible corte temporal del servicio. Si el aviso previo no pudiera realizarse, la compañía telefónica avisará al cliente lo antes posible. Asimismo, se le informará de su derecho a presentar una reclamación a la FCC si así lo cree necesario.

6. La compañía telefónica puede realizar cambios en sus instalaciones, equipo, operaciones o procedimientos que podrían afectar al funcionamiento del equipo. Si esto ocurriera, la compañía telefónica le notificará de antemano para que pueda realizar las modificaciones necesarias sin interrumpir el servicio.

7. Si nota algún problema en el equipo, para información sobre la garantía o reparaciones, contacte con el departamento de soporte al cliente (RicoH USA, Inc. Customer Support Department) en 1-800-FASTFIX. Si este dispositivo causa problemas en su red telefónica, la compañía telefónica podría solicitarle que desconectara el equipo hasta que se solucione el problema.

8. En el caso de problemas de funcionamiento (atasco de documentos, atasco de copias, indicadores de error de comunicación), consulte el manual proporcionado con la máquina para ver instrucciones sobre cómo resolver el problema.

9. La conexión con el servicio de línea telefónica compartida está sujeto a tarifas estatales. Contacte con la comisión pública estatal, la comisión de servicio público o la comisión corporativa para más información.

10. Si tiene un equipo de alarma cableado conectado a la línea telefónica en casa, asegúrese de que la instalación de este equipo no desactiva su equipo de alarma. Si tiene alguna pregunta acerca de qué podría desactivar su equipo de alarma, consulte a la compañía telefónica o a un técnico de instalación cualificado.

AL PROGRAMAR NÚMEROS DE EMERGENCIA Y/O REALIZAR LLAMADAS DE PRUEBA A NÚMEROS DE EMERGENCIA:

1. Permanezca en la línea y explique brevemente al receptor el motivo de su llamada antes de colgar.

2. Realice este tipo de actividades en horas no punta, como a primera hora de la mañana o al final de la tarde.

El acta de protección al consumidor (Telephone Consumer Protection Act) de 1991 declara ilegal el uso por parte de cualquier persona de un ordenador o cualquier otro dispositivo electrónico, incluidas máquinas de fax, para enviar cualquier mensaje, a menos que dicho mensaje contenga claramente en el margen superior o inferior de cada página transmitida o en la primera página de transmisión, la fecha y hora en la que se envió y una identificación de la empresa u otra entidad, u otro individuo que enviara el mensaje y el número de teléfono de la máquina emisora o la empresa, otra entidad o individuo. (El número de teléfono proporcionado no puede ser un 900 ni ningún otro número para el que los cargos superen las cuotas de transmisión local o de larga distancia).

Para programar esta información en su máquina de FAX, debería completar los pasos siguientes: Siga el procedimiento de programación de encabezado de fax en el capítulo de programación de las instrucciones de uso para introducir el identificador de empresa y número telefónico del terminal o empresa. Esta información se transmitirá con su documento mediante la función de encabezado de fax. Además de dicha información, asegúrese de programar la fecha y hora de la máquina.

Instrucciones de seguridad importantes para la Unidad de fax

Al utilizar su dispositivo telefónico, debe seguir siempre una serie de precauciones de seguridad básicas para reducir el riesgo de incendio, descarga eléctrica y lesiones, entre las que se incluyen las siguientes:

- No utilice el producto cerca del agua, como por ejemplo, cerca de una bañera, lavamanos, fregadero o lavadero, ni en un sótano húmedo o cerca de una piscina.
- Evite el uso del teléfono durante tormentas eléctricas. Corre riesgo de descarga eléctrica causada por un rayo.
- No utilice el teléfono cerca de un escape de gas para informar del mismo.

Guarde estas instrucciones.

IMPORTANTES MESURES DE SÉCURITÉ de l'unité Fax

Certaines mesures de sécurité doivent être prises pendant l'utilisation de matériel téléphonique afin de réduire les risques d'incendie, de choc électrique et de blessures. En voici quelques-unes:

- Ne pas utiliser l'appareil près de l'eau, p.ex., près d'une baignoire, d'un lavabo, d'un évier de cuisine, d'un bac à laver, dans un sous-sol humide ou près d'une piscine.
- Éviter d'utiliser le téléphone (sauf s'il s'agit d'un appareil sans fil) pendant un orage électrique. Ceci peut présenter un risque de choc électrique causé par la foudre.
- Ne pas utiliser l'appareil téléphonique pour signaler une fuite de gaz s'il est situé près de la fuite.

Conserver ces instructions.

Notes to Canadian Users of Facsimile Unit

This product meets the applicable Innovation, Science and Economic Development Canada technical specifications.

The Ringer Equivalence Number (REN) indicates the maximum number of devices allowed to be connected to a telephone interface. The termination of an interface may consist of any combination of devices subject

only to the requirement that the sum of the RENs of all the devices not exceed five.

Remarques à l'attention des utilisateurs canadiens de l'unité Fax

Le présent produit est conforme aux spécifications techniques applicables d'Innovation, Sciences et Développement économique Canada.

L'indice d'équivalence de la sonnerie (IES) sert à indiquer le nombre maximal de dispositifs qui peuvent être raccordés à une interface téléphonique. La terminaison d'une interface peut consister en une combinaison

quelconque de dispositifs, à la seule condition que la somme des IES de tous les dispositifs n'excède pas cinq.

Leia isto primeiro

1. Informações

2. Símbolos de segurança para este equipamento

3. Informações de segurança

4. Símbolos de segurança neste equipamento

5. Outras informações relativas a este equipamento

Para obter informações não encontradas nos manuais em papel, consulte os manuais on-line disponíveis em nosso site (<http://www.rioh.com/>).



Antes de usar o equipamento, leia atentamente este manual e mantenha-o ao alcance para consultas futuras. Para um uso seguro e correto, certifique-se de ler as Informações de segurança neste manual antes de usar o equipamento.

Português (Brasil)



1. Informações

Introdução

Este manual contém instruções e notas detalhadas sobre a operação e utilização deste equipamento. Para sua segurança e benefício, leia este manual atentamente antes de utilizar o equipamento. Guarde este manual em um local acessível para uma rápida consulta.

Lista de manuais

Nome do manual	Mídia para o equipamento	Mídia para nosso website
Guia do usuário	-	Manual em PDF
Leia isto primeiro	Manual impresso	Manual em PDF
Guia de Instalação Rápida	Manual impresso	Manual em PDF
Instruções de operação	-	Manual em HTML
Security Guide	-	Manual em HTML
Guia de instalação	Manual em PDF	Manual em PDF

Nota

- Os manuais Instruções de operação e Guia de instalação estão disponíveis em inglês, alemão, francês, italiano, espanhol, holandês e russo.
 - Para obter mais informações sobre cada manual, consulte Operating Instructions em nosso website.
-

Fonte de alimentação

120-127 V, 60 Hz, 9 A

Certifique-se de conectar o cabo de alimentação a uma fonte de alimentação, conforme indicado acima.

Isenção de responsabilidade

Até a extensão máxima permitida pelas leis aplicáveis, o fabricante, sob nenhuma circunstância, será responsável por danos de qualquer natureza decorrentes de falhas neste equipamento, perdas de dados registrados ou do uso ou não uso deste produto e dos manuais de operação fornecidos com ele. Certifique-se de sempre copiar ou fazer backups dos dados registrados neste equipamento. Documentos ou dados podem ser apagados devido a erros operacionais ou falhas de funcionamento do equipamento. Sob nenhuma circunstância, o fabricante será responsável por documentos criados por você por meio deste equipamento ou por quaisquer resultados decorrentes dos dados executados por você.










Notas

Para uma boa qualidade dos documentos, o fabricante recomenda a utilização de toner genuíno do fabricante.

O fabricante não será responsável por nenhum dano ou despesa resultante do uso de peças não genuínas em seus produtos de escritório.

2. Símbolos de segurança para este equipamento

Os significados dos símbolos de segurança para este equipamento são os seguintes:

	Cuidado
	Cuidado, superfície quente
	Não toque
	Não jogue no fogo
	Não use aspirador de pó
	Mantenha longe do alcance de crianças
	Proibição
	Sinal de ação obrigatória geral
	Atenção: dispositivo sensível a eletricidade estática

3. Informações de segurança

Segurança durante a operação

Neste manual, são utilizados os seguintes símbolos importantes:

⚠ AVISO:

Indica uma situação potencialmente perigosa que poderá resultar em morte ou ferimentos graves se as instruções não forem seguidas.

⚠ CUIDADO:

Indica uma situação potencialmente perigosa que poderá resultar em ferimentos menores ou moderados ou danos materiais se as instruções não forem seguidas.

Ambientes onde o equipamento pode ser usado

⚠ AVISO:

- *Não use sprays ou solventes inflamáveis nas proximidades do equipamento. Além disso, evite colocar esses itens próximo ao equipamento. Caso contrário, pode ocorrer incêndio ou choque elétrico.*
 - *Não coloque jarras, vasos, copos, cosméticos, medicamentos, objetos metálicos pequenos ou recipientes com água ou outros líquidos em cima ou perto do equipamento. O derramamento ou a queda desses objetos ou substâncias no interior do equipamento pode resultar em incêndio ou choque elétrico.*
-

⚠ CUIDADO:

- *Mantenha o equipamento longe de umidade e pó. Caso contrário, pode ocorrer incêndio ou choque elétrico.*
- *Não coloque o equipamento em uma superfície instável ou inclinada. Se o equipamento cair, podem ocorrer ferimentos.*
- *Não coloque objetos pesados em cima do equipamento. Caso contrário, o equipamento pode virar, provocando lesões.*
- *Certifique-se de que o cômodo onde o equipamento está sendo usado seja bem ventilado e espaçoso. Uma boa ventilação é importante sobretudo quando o equipamento é usado com muita frequência.*
- *Não obstrua as aberturas do equipamento. Caso contrário, haverá risco de incêndio decorrente do superaquecimento dos componentes internos.*

Manuseio de cabos de alimentação e tomadas elétricas

AVISO:

• Não use fontes de alimentação diferentes daquelas que atendam às especificações descritas neste manual. Caso contrário, pode ocorrer incêndio ou choque elétrico.

• Não use frequências que não correspondam às especificações indicadas. Caso contrário, pode ocorrer incêndio ou choque elétrico.

• Não use adaptadores com várias tomadas. Caso contrário, pode ocorrer incêndio ou choque elétrico.

• Não use extensões elétricas. Caso contrário, pode ocorrer incêndio ou choque elétrico.

• Não use cabos de alimentação danificados, quebrados ou modificados. Não use cabos de alimentação que tenham ficado presos sob objetos pesados, puxados com força ou excessivamente dobrados. Isso pode resultar em incêndio ou choque elétrico.

• Se o cabo de alimentação estiver danificado e seus fios internos estiverem expostos ou partidos, entre em contato com seu representante técnico para substituição. O uso de cabos de alimentação danificados pode resultar em incêndio ou choque elétrico.

Certifique-se de desconectar a tomada da parede pelo menos uma vez por ano e verificar se:

- Há sinais de que a tomada esteja queimada.
- Os pinos da tomada estão deformados.

Se alguma das situações acima estiver ocorrendo, não use a tomada e consulte seu revendedor ou representante técnico. O uso da tomada pode resultar em fogo ou choque elétrico.

Certifique-se de desconectar o cabo de alimentação da tomada na parede pelo menos uma vez por ano e verificar se:

- Os fios internos do cabo de alimentação estão expostos, partidos, etc.
- O revestimento do cabo de alimentação apresenta rachaduras ou partes amassadas.
- Ao dobrar o cabo de alimentação, o equipamento desliga e liga.
- Parte do cabo de alimentação esquenta.
- O cabo de alimentação está danificado.

Se alguma das situações acima estiver ocorrendo, não use o cabo de alimentação e consulte seu revendedor ou representante técnico. O uso do cabo de alimentação pode resultar em fogo ou choque elétrico.

• Tocar nos pinos da tomada do cabo de alimentação com um objeto metálico constitui risco de incêndio e choque elétrico.

• O cabo de alimentação fornecido destina-se exclusivamente ao uso com este equipamento. Não use-o com outros aparelhos. Caso contrário, pode ocorrer incêndio ou choque elétrico.

- *É perigoso manusear a tomada do cabo de alimentação com as mãos molhadas. Caso contrário, pode ocorrer choque elétrico.*

- *Para reduzir o risco de incêndio, use somente cabos de linha de telecomunicação nº 26 AWG ou superior.*

⚠ ATENÇÃO

Pour réduire le risque d'incendie, utiliser uniquement des conducteurs de télécommunications 26 AWG ou de section supérieure.

⚠ CUIDADO:

- *Certifique-se de inserir totalmente a tomada do cabo de alimentação na tomada da parede. Pinos parcialmente inseridos criam uma conexão instável, o que pode resultar em acúmulo perigoso de calor.*
- *Se o equipamento não for usado por vários dias ou por um longo período, desconecte o cabo de alimentação da tomada na parede.*
- *Quando desconectar o cabo de alimentação da tomada na parede, puxe sempre pela tomada, e não pelo cabo. O cabo de alimentação pode ser danificado se você puxá-lo. O uso de cabos de alimentação danificados pode resultar em incêndio ou choque elétrico.*
- *Não se esqueça de desconectar a tomada do cabo retirando-a da tomada na parede e de limpar os pinos e a área ao redor dos pinos pelo menos uma vez por ano. O acúmulo de sujeira na tomada constitui risco de incêndio.*
- *Ao fazer manutenção no equipamento, desconecte o cabo de alimentação da tomada na parede.*

Manusear o equipamento principal

⚠ AVISO:

- *Coloque o equipamento o mais perto possível da tomada na parede. Isso facilita a desconexão do cabo de alimentação em caso de emergência.*
- *Se o equipamento emitir fumaça ou odores ou apresentar comportamento anormal, desligue-o imediatamente. Depois de desligá-lo, certifique-se de desconectar a tomada do cabo de alimentação da tomada na parede. Em seguida, entre em contato com seu representante técnico e relate o problema. Não use o equipamento. Caso contrário, pode ocorrer incêndio ou choque elétrico.*

- *Se objetos de metal, água ou outros líquidos caírem no interior deste equipamento, desligue-o imediatamente pressionando primeiro o botão de operação no painel de controle e, em seguida, o botão de alimentação principal. Depois de desligá-lo, certifique-se de desconectar a tomada do cabo de alimentação da tomada na parede. Em seguida, entre em contato com seu representante de vendas ou de serviços técnicos e relate o problema. Não use o equipamento. Caso contrário, pode ocorrer incêndio ou choque elétrico.*

- *Ao substituir a unidade de fusão, coloque o botão de alimentação principal na posição "desligado" e aguarde pelo menos 30 minutos antes de prosseguir com a substituição.*

- *Não toque neste equipamento se estiverem ocorrendo relâmpagos nas proximidades. Caso contrário, pode ocorrer choque elétrico.*

- *As explicações a seguir se referem às mensagens de aviso na embalagem plástica deste produto.*

- *Mantenha sempre os materiais de polietileno (por exemplo, sacolas) fornecidos com este equipamento longe do alcance de bebês e crianças pequenas. Poderá ocorrer sufocamento se materiais de polietileno entrarem em contato com a boca ou nariz.*

- *As explicações a seguir se referem às mensagens de aviso na embalagem plástica deste produto.*

- *Mantenha sempre os materiais de polietileno (sacolas, luvas, etc.) fornecidos com este equipamento longe do alcance de bebês e crianças pequenas. Poderá ocorrer sufocamento se materiais de polietileno entrarem em contato com a boca ou nariz.*

- *Se o equipamento cair ou se uma tampa ou outra parte se quebrar, será necessário desligar a alimentação imediatamente. Depois de desligá-lo, certifique-se de desconectar a tomada do cabo de alimentação da tomada na parede. Em seguida, entre em contato com seu representante técnico e relate o problema. Não use o equipamento. Caso contrário, pode ocorrer incêndio ou choque elétrico.*

 CUIDADO:

- *Desconecte o cabo de alimentação retirando-o da tomada na parede antes de deslocar o equipamento. Ao deslocar o equipamento, tenha cuidado para que o cabo de alimentação não fique sob o equipamento e seja danificado. O não cumprimento dessas precauções pode causar incêndio ou choque elétrico.*

- *Se você precisar deslocar o equipamento com a unidade de bandeja de papel opcional instalada, não empurre-o pela parte superior da unidade principal. Caso contrário, a unidade de bandeja de papel opcional pode desencaixar e provocar ferimentos.*

- *O equipamento pesa aproximadamente 41,5 kg.*
- *Ao mover o equipamento, segure as alças nas laterais e levante-o lentamente. Caso não tenha cuidado ao levantar o equipamento ou deixá-lo cair, você poderá sofrer ferimentos.*

- *Antes de instalar ou remover opcionais, sempre desconecte os plugues dos cabos de alimentação da tomada na parede e espere até que a unidade principal resfrie totalmente. Não tomar essas precauções pode resultar em queimaduras.*

- *Não olhe diretamente para a lâmpada. Isso pode provocar ferimentos nos olhos.*

Manuseio da parte interna do equipamento

⚠ AVISO:

- *Não retire tampas ou parafusos diferentes daqueles explicitamente especificados neste manual. No interior do equipamento, existem componentes de alta tensão que constituem risco de choque elétrico. Entre em contato com seu representante comercial ou técnico se algum dos componentes internos do equipamento precisar de manutenção, ajuste ou reparo.*
- *Não tente desmontar nem modificar este equipamento. Caso contrário, você corre o risco de sofrer queimaduras e choque elétrico.*

⚠ CUIDADO:

- *Se o interior do equipamento não for limpo regularmente, haverá acúmulo de pó. Quando há muito acúmulo de pó no interior do equipamento, pode ocorrer incêndio ou avaria. Entre em contato com seu representante comercial ou técnico para obter informações sobre a limpeza do interior do equipamento e o valor cobrado por esse serviço.*
- *Alguns componentes internos deste equipamento podem ficar muito quentes. Por isso, tenha cuidado ao remover papel alimentado incorretamente. Caso contrário, você pode se queimar.*
- *Ao remover papel atolado, cuidado para não prender os dedos nem feri-los.*
- *Ao colocar papel, tenha cuidado para não prender ou machucar os dedos.*
- *Durante o funcionamento, os rolos de transporte de papel e originais giram. Há um dispositivo de segurança instalado para que o equipamento possa ser operado com segurança. No entanto, tenha cuidado para não tocar no equipamento durante o funcionamento. Caso contrário, você poderá se machucar.*

Manuseio dos suprimentos do equipamento

⚠ AVISO:

- *Não incinere toner (novo ou usado) nem embalagens de toner. Caso contrário, você corre o risco de sofrer queimaduras. O toner pega fogo ao entrar em contato com chama.*

• Não armazene toner (novo ou usado) nem embalagens de toner perto de chamas. Caso contrário, podem ocorrer incêndio e queimaduras. O toner pega fogo ao entrar em contato com chama.

• Não use um aspirador de pó para limpar o toner derramado (incluindo toner usado).
O toner aspirado pode causar incêndio ou explosão devido ao contato elétrico que ocorre no interior do aspirador de pó.
Contudo, é possível usar um aspirador de pó que seja à prova de explosão e de poeira explosiva.
Se o toner for derramado no chão, remova-o lentamente usando um pano úmido, para não espalhá-lo.

• As explicações a seguir se referem às mensagens de aviso na embalagem plástica deste produto.

- Mantenha sempre os materiais de polietileno (sacolas, luvas, etc.) fornecidos com este equipamento longe do alcance de bebês e crianças pequenas. Poderá ocorrer sufocamento se materiais de polietileno entrarem em contato com a boca ou nariz.

⚠ CUIDADO:

• Ao substituir um recipiente de toner ou recipiente de toner usado ou consumíveis com toner, certifique-se de que o toner não respingue. Coloque os consumíveis usados em um saco após removê-los. Para consumíveis com tampa, certifique-se de que a tampa esteja fechada.

• Não esmague nem aperte as embalagens de toner. Isso pode originar vazamento de toner e resultar em ingestão acidental ou sujar a pele, roupas e o chão.

• Armazene toner (novo ou usado), embalagens de toner e outros componentes que ficam em contato com toner fora do alcance de crianças.

• Se você inalar toner novo ou usado, faça gargarejo com muita água e vá para um local com ar fresco. Se necessário, consulte um médico.

• Se o toner novo ou usado entrar em contato com os olhos, lave-os imediatamente com muita água. Se necessário, consulte um médico.

• Se você engolir toner novo ou usado, beba muita água para diluí-lo. Se necessário, consulte um médico.

• Ao remover papel atolado ou substituir o toner, tenha cuidado para não sujar suas roupas com toner (novo ou usado). Se o toner entrar em contato com suas roupas, lave a área manchada com água fria. A água quente faz com que o toner penetre no tecido e impossibilite a remoção da mancha.

• *Ao remover papel atolado ou substituir o toner, tenha cuidado para que o toner (novo ou usado) não entre em contato com sua pele. Se o toner entrar em contato com sua pele, lave a área afetada com muita água e sabão.*

• *Não tente imprimir em folhas grampeadas, papel alumínio, papel carbono ou qualquer tipo de papel condutor. Caso contrário, pode ocorrer incêndio.*

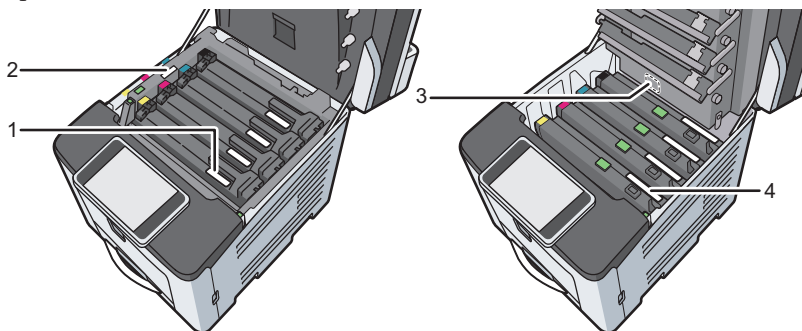
• *Mantenha cartões SD ou dispositivos USB de memória flash fora do alcance de crianças. Se uma criança engolir acidentalmente um cartão SD ou um dispositivo USB de memória flash, procure um médico imediatamente.*

4. Símbolos de segurança neste equipamento

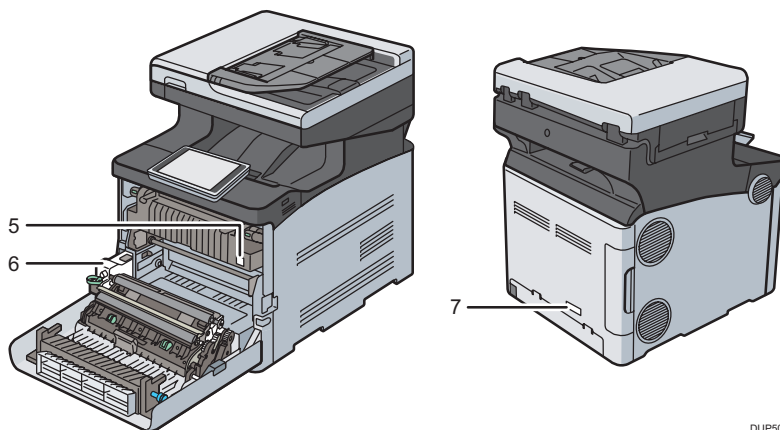
Esta seção explica as etiquetas com informações de segurança no equipamento.

Locais das etiquetas de ⚠️ AVISO e ⚠️ CUIDADO

Este equipamento apresenta etiquetas de ⚠️ AVISO e ⚠️ CUIDADO nos locais mostrados a seguir. Por questões de segurança, siga as instruções e manuseie o equipamento conforme indicado.



DUP502



DUP501



Não incinere toner (novo ou usado) nem embalagens de toner. Caso contrário, você corre o risco de sofrer queimaduras. O toner pega fogo ao entrar em contato com chama.

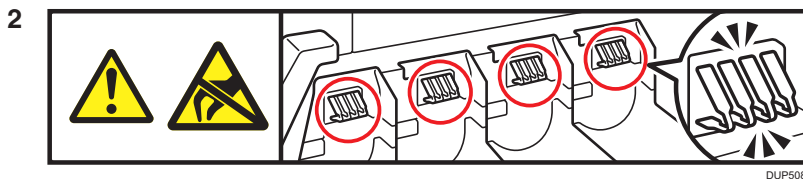
Não armazene toner novo ou usado nem recipientes de toner em locais com chama exposta. O toner poderá pegar fogo e causar queimaduras.

O descarte deve ser feito junto a um representante autorizado ou em um local apropriado indicado pelo órgão local de proteção ambiental.

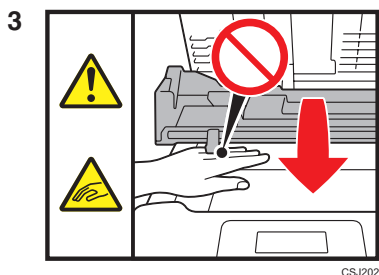
Se você descartar os recipientes de toner usados por conta própria, faça isso em conformidade com as regulamentações locais.

Não use um aspirador de pó para limpar o toner derramado (incluindo toner usado). O toner aspirado pode causar incêndio ou explosão devido ao contato elétrico que ocorre no interior do aspirador de pó. No entanto, é possível usar um aspirador de pó a prova de explosões. Se o toner derramar no chão, varra-o lentamente e limpe o restante com um pano úmido.

Armazene toner (novo ou usado), embalagens de toner e outros componentes que ficam em contato com toner fora do alcance de crianças.



Tenha cuidado para não tocar nos terminais de identificação. Caso contrário, poderá ocorrer eletricidade estática, danificando o equipamento.



Tenha cuidado para não prender os dedos ao abrir ou fechar a tampa interna.



O interior do equipamento pode estar muito quente. Não toque nas peças com uma etiqueta indicando "superfície quente". Caso contrário, você poderá se machucar.



O equipamento pesa aproximadamente 41,5 kg. Ao deslocar o equipamento, utilize as alças laterais e levante-o devagar com a ajuda de outra pessoa. Se cair, o equipamento poderá ficar danificado ou provocar ferimentos.

Símbolos dos botões de energia

Os significados dos símbolos dos botões deste equipamento são os seguintes:

-  : EM ESPERA

5.Outras informações relativas a este equipamento

Cópia e impressão proibidas

Não copie nem imprima nenhum item para o qual a reprodução seja proibida por lei.

A cópia ou impressão dos seguintes itens é geralmente proibida pelas leis locais:

cédulas bancárias, selos fiscais, títulos, ações, cheques bancários, passaportes e carteiras de motorista. A lista acima serve apenas como orientação, pois não é completa. Não assumimos responsabilidade por sua totalidade e precisão de informações. Se você tiver dúvidas sobre a legalidade de cópias ou impressões de determinados itens, consulte seu advogado.

Notas aos usuários nos Estados Unidos da América

Normas da FCC

Nota:

Este equipamento foi testado e considerado em conformidade com os limites para um dispositivo digital Classe B, nos termos da Parte 15 das normas da FCC. Esses limites são formulados para fornecer proteção razoável contra interferência em uma instalação residencial. Este equipamento gera, usa e pode irradiar energia de radiofrequência e, se não for instalado e usado de acordo com as instruções, poderá causar interferência prejudicial a comunicações de rádio. No entanto, não há garantia de que tal interferência não ocorrerá em uma instalação em particular. Se este equipamento provocar interferência prejudicial à recepção de rádio ou televisão, o que pode ser determinado desligando o equipamento e religando-o, recomendamos que o usuário tente corrigir a interferência através de uma ou mais das seguintes medidas:

- Reoriente ou reposicione a antena receptora.
- Aumente a distância entre o equipamento e o receptor.
- Conecte o equipamento a uma tomada em um circuito diferente daquele ao qual o receptor está conectado.
- Consulte seu representante ou um técnico especializado em rádio/TV para obter ajuda.

Cuidado:

Alterações ou modificações que não sejam expressamente aprovadas pela parte responsável por conformidade podem anular a autoridade do usuário de operar o equipamento.

Esse transmissor não deve ser colocado nem operado junto de outra antena ou transmissor.

Tolerância de frequência: 8,32 ppm

A transmissão de dados sempre é iniciada por software, passando pelo MAC, em seguida, pela banda base digital e analógica, e, por fim, passa para o chip de RF. Vários pacotes especiais são iniciados pelo MAC. Eles são os únicos meios pelos quais a porção da banda base digital liga o transmissor de RF, que, em seguida, é desligado no final do pacote. Portanto, o transmissor só ficará ligado enquanto um dos pacotes mencionados acima estiver sendo transmitido. Em outras palavras, este dispositivo automaticamente descontinua a transmissão em caso de ausência de informações ou falha operacional.

Este equipamento está em conformidade com os limites de exposição à radiação estabelecidos pela FCC para um ambiente não controlado e atende às Diretrizes de exposição à radiofrequência. Este equipamento deve ser instalado e operado mantendo o irradiador a pelo menos 20 cm ou mais do corpo da pessoa (exceto extremidades: mãos, punhos, pés e tornozelos).

Declaração de conformidade

Este dispositivo está em conformidade com a Parte 15 das normas da FCC.

A operação está sujeita às duas condições a seguir:

- (1) Este equipamento não pode provocar interferência prejudicial e
- (2) este equipamento deve aceitar qualquer interferência, incluindo interferência que possa provocar um funcionamento não pretendido.

Parte responsável: Ricoh USA, Inc.

Endereço: 70 Valley Stream Parkway Malvern, Pennsylvania 19355

Telefone: 610-296-8000

Nome do produto: Periférico multifuncional

Número de modelo: SP C360SFNw, SP C361SFNw

Notas para usuários no Estado da Califórnia (Notas para usuários nos EUA)

Material de perclorato - pode ser necessário tratamento especial. Consulte: www.dtsc.ca.gov/hazardouswaste/perchlorate

Observações para usuários canadenses de dispositivos sem fio

Este equipamento está em conformidade com os padrões RSS isentos de licença da indústria do Canadá.

A operação está sujeita às duas condições a seguir:

- (1) Este equipamento não pode causar interferência e
- (2) Este equipamento deve aceitar qualquer interferência, incluindo interferência que possa provocar um funcionamento não desejado do equipamento.

A banda 5150-5250 MHz é restrita a operações internas.

Radares de alta potência são alocados como usuários primários (por exemplo, usuários prioritários) das bandas 5250-5350 MHz e 5650-5850 MHz, e esses radares podem causar interferência e/ou danos a dispositivos LE-LAN.

Em conformidade com o requisito RSS-247 6.4 da ISED a) A transmissão de dados sempre é iniciada por software, passando pelo MAC, em seguida, pela banda base digital e analógica, e, por fim, passa para o chip de RF. Vários pacotes especiais são iniciados pelo MAC. Eles são os únicos meios pelos quais a porção da banda base digital liga o transmissor de RF, que, em seguida, é desligado no final do pacote. Portanto, o transmissor só ficará ligado enquanto um dos pacotes mencionados acima estiver sendo transmitido. Em outras palavras, este dispositivo automaticamente descontinua a transmissão em caso de ausência de informações ou falha operacional.

Este equipamento está em conformidade com os limites de exposição à radiação estabelecidos pela IC para um ambiente não controlado e atende ao RSS-102 das normas de exposição à radiofrequência (RF) estabelecidas pela IC. Este equipamento deve ser instalado e operado mantendo o radiador a pelo menos 20 cm de distância do corpo da pessoa (exceto extremidades: mãos, punhos, pés e tornozelos).

A banda 5250-5350 MHz é restrita a operações internas.

Remarques à l'attention des utilisateurs canadiens d'appareils sans fil

Le présent appareil est conforme aux CNR d'Industrie Canada applicables aux appareils radio exempts de licence.

L'exploitation est autorisée aux deux conditions suivantes:

- (1) l'appareil ne doit pas produire de brouillage, et
- (2) l'appareil doit accepter tout brouillage radioélectrique subi, même si le brouillage est susceptible d'en compromettre le fonctionnement.

La bande 5150-5250 MHz est restreinte à une utilisation à l'intérieur seulement.

Les radars de haute puissance sont désignés utilisateurs principaux (c.-à-d., qu'ils ont la priorité) pour les bandes 5250-5350 MHz et 5650-5850 MHz, et ces radars pourraient causer du brouillage et/ou des dommages aux dispositifs LAN-EL.

Conformité à la norme CNR-247 6.4 a) La transmission des données est toujours initiée par le logiciel, puis les données sont transmises par l'intermédiaire du MAC, par la bande de base numérique et analogique et, enfin, à la puce RF. Plusieurs paquets spéciaux sont initiés par le MAC. Ce sont les seuls moyens pour qu'une partie de la bande de base numérique active l'émetteur RF, puis désactive celui-ci à la fin du paquet. En conséquence, l'émetteur reste uniquement activé lors de la transmission d'un des paquets susmentionnés. En d'autres termes, ce dispositif interrompt automatiquement toute transmission en cas d'absence d'information à transmettre ou de défaillance.

Cet équipement est conforme aux limites d'exposition aux rayonnements énoncées pour un environnement non contrôlé et respecte les règles d'exposition aux fréquences radioélectriques (RF)

CNR-102 de l'IC. Cet équipement doit être installé et utilisé en gardant une distance de 20 cm ou plus entre le dispositif rayonnant et le corps (à l'exception des extrémités : mains, poignets, pieds et chevilles).

La bande 5250-5350 MHz est restreinte à une utilisation à l'intérieur seulement.

Notas sobre a função wireless

Este produto usa a faixa de frequência de 2,4 GHz para comunicação. Comunicações que utilizam ondas de rádio podem ser interrompidas por ruídos ou interferência. Se você quiser usar este produto para comunicação externa, lembre-se de que poderão ocorrer falhas na comunicação.

★ Importante

- A desmontagem e modificação deste produto são proibidas por lei. A empresa não se responsabiliza por modificações ilegais feitas no módulo sem fio deste produto.
- A empresa não assume nenhuma responsabilidade por prejuízos financeiros, tais como danos provenientes de falhas de comunicação decorrentes de falhas, mau funcionamento ou defeitos na função de LAN sem fio ou Bluetooth, ou falhas relacionadas a ambiente operacional, falhas de comunicação, quedas de energia ou outros fatores externos.
- Nenhuma medida para impedir ou bloquear a alteração de dados está disponível para dispositivos que estabelecem comunicação por meio de ondas de rádio. A empresa não assume nenhuma responsabilidade por problemas de segurança provenientes das especificações de LAN sem fio, Bluetooth ou outras condições.

↓ Nota

- A faixa de frequência usada por este produto também pode ser usada por outros produtos (industriais, científicos ou médicos) fabricados por outras empresas. O uso de dispositivos sem fio em ambientes externos pode ser restrito. Fique atento quanto ao local de uso desta função.
- Para exportar este produto, siga as leis de câmbio e exportação, as normas de administração de exportação e outras leis e normas relacionadas, e siga os procedimentos estabelecidos por essas leis e normas.
- O SSID da função LAN wireless não vem configurada de fábrica. Caso queira usar o SSID, você mesmo deve configurá-lo.
- Alguns aplicativos deste produto usam a função sem fio. Dependendo do ambiente em que a função sem fio é usada, a comunicação pode ser interrompida devido a interferências de ondas de rádio.
- As frequências utilizáveis pela função LAN wireless variam de acordo com o ponto de acesso usado.
- Como padrão de fábrica, a função de LAN sem fio vem desabilitada. Para usar os aplicativos deste produto que usam a função de LAN sem fio, você precisa habilitar essa função.
- Como padrão de fábrica, a função Bluetooth vem desabilitada. Para usar os aplicativos deste produto que usam a função Bluetooth, você precisa habilitar essa função.
- Não há garantia de que a unidade Bluetooth funcione com todos os dispositivos suportados.

Marcas comerciais

A marca Bluetooth® e respectivos logótipos são marcas comerciais da Bluetooth SIG, Inc. e a utilização dessas marcas por parte da Ricoh Company, Ltd. é feita mediante licença.

Para representantes de serviços técnicos (somente em caso de instalação feita por representantes de serviços técnicos):

Deixe este documento com o usuário após a conclusão da instalação do produto.

Parte 68 das Regras da FCC para unidade de fax

1. Este equipamento está em conformidade com a Parte 68 das Regras da FCC e com os requisitos adotados pelo ACTA. Na tampa deste equipamento, há um rótulo que contém, entre outras informações, um identificador do produto no formato US:AAAEQ##TXXXXX. Se solicitado, este número deve ser fornecido à empresa de telefonia.

2. Este equipamento usa um conector RJ11C USOC.

3. A tomada e o conector usados para conectar este equipamento aos cabos e à rede telefônica das instalações devem estar em conformidade com as regras aplicáveis da Parte 68 da FCC e com os requisitos adotados pelo ACTA. Um cabo telefônico e uma tomada modular compatíveis são fornecidos com este produto. Ambos foram projetados para serem ligados a um conector modular também compatível. Consulte as instruções de instalação para obter informações.

4. O REN é utilizado para determinar o número de equipamentos que podem ser conectados a uma linha telefônica. RENs excessivos em uma linha telefônica podem fazer com que os equipamentos não toquem ao receberem uma chamada. Na maior parte das áreas, a soma dos RENs não deve exceder cinco (5,0). Para ter a certeza do número de equipamentos que podem ser conectados a uma linha, conforme determinado pelo total de RENs, entre em contato com a empresa telefônica local. O REN deste produto faz parte do identificador do produto que possui o formato US:AAAEQ##TXXXXX. Os dígitos representados por ## são o REN sem o símbolo decimal (por exemplo, 03 é um REN de 0,3).

5. Se este equipamento provocar danos à rede telefônica, a empresa telefônica irá notificá-lo previamente de que talvez seja necessário interromper temporariamente o serviço. No entanto, se a notificação prévia não for viável, a empresa de telefonia notificará o cliente assim que possível. Além disso, você será informado do seu direito de apresentar queixa à FCC caso considere necessário.

6. A empresa telefônica pode fazer alterações em suas instalações, equipamentos, operações ou procedimentos, que poderão afetar o funcionamento do equipamento. Se isso acontecer, a empresa de telefonia fornecerá uma notificação prévia para que você faça as modificações necessárias e o serviço não seja interrompido.

7. Se este equipamento apresentar problemas, entre em contato com o Departamento de Suporte ao Cliente da Ricoh USA, Inc. Customer através do número 1-800-FASTFIX para obter informações sobre reparo ou garantia. Se este equipamento provocar problemas na sua linha telefônica, a empresa telefônica poderá solicitar que você o desligue até o problema ser resolvido.

8. Na eventualidade de ocorrerem problemas operacionais (atolamento de documentos, atolamento de cópias, indicação de erro de comunicação), consulte o manual fornecido com este equipamento para obter instruções sobre como solucionar o problema.

9. A ligação para esse serviço está sujeita a tarifas. Para obter mais informações, entre em contato com as entidades competentes.

10. Se houver em sua casa dispositivos de alarme conectados à linha telefônica, certifique-se de que a instalação deste equipamento não desativa o dispositivo de alarme. Se você tiver dúvidas sobre o que pode desativar dispositivos de alarme, consulte a sua empresa de telefonia ou um técnico qualificado.

AO PROGRAMAR NÚMEROS DE EMERGÊNCIA E/OU FAZER CHAMADAS DE TESTE PARA NÚMEROS DE EMERGÊNCIA:

1. Permaneça na linha e explique resumidamente ao operador o motivo da chamada antes de encerrá-la.
2. Siga esses procedimentos fora do horário de pico, como no início da manhã ou no fim da noite.

The Telephone Consumer Protection Act of 1991 makes it unlawful for any person to use a computer or other electronic device, including FAX machines, to send any message unless such message clearly contains in a margin at the top or bottom of each transmitted page or on the first page of the transmission, the date and time it is sent and an identification of the business or other entity, or other individual sending the message and the telephone number of the sending machine or such business, other entity, or individual. (O número de telefone fornecido não pode ser um número de emergência ou um número para o qual as tarifas excedam ao valor das tarifas de transmissão local ou de longa distância.)

In order to program this information into your FAX machine, you should complete the following steps: Follow the FAX HEADER programming procedure in the Programming chapter of the operating instructions to enter the business identification and telephone number of the terminal or business. Essas informações são transmitidas com o documento pelo recurso CABEÇALHO DE FAX. Além das informações, certifique-se de programar a data e hora no equipamento.

Informações de segurança importantes relativas à unidade de fax

Ao usar seu equipamento telefônico, precauções básicas de segurança devem ser sempre seguidas para reduzir o risco de incêndio, choque elétrico e ferimentos pessoais, incluindo:

- Não use este produto perto de água, por exemplo, banheira, pia, bancada de cozinha, tanque de roupa, porão úmido ou piscina.
- Evite usar o telefone durante chuvas com relâmpagos. Há um risco remoto de choque elétrico causado pelos raios.
- Não utilize o telefone perto de um local onde haja vazamento de gás para relatar esse vazamento.

Guarde essas instruções.

IMPORTANTES MESURES DE SÉCURITÉ de l'unité Fax

Certaines mesures de sécurité doivent être prises pendant l'utilisation de matériel téléphonique afin de réduire les risques d'incendie, de choc électrique et de blessures. En voici quelques-unes:

- Ne pas utiliser l'appareil près de l'eau, p.ex., près d'une baignoire, d'un lavabo, d'un évier de cuisine, d'un bac à laver, dans un sous-sol humide ou près d'une piscine.
- Éviter d'utiliser le téléphone (sauf s'il s'agit d'un appareil sans fil) pendant un orage électrique. Ceci peut présenter un risque de choc électrique causé par la foudre.
- Ne pas utiliser l'appareil téléphonique pour signaler une fuite de gaz s'il est situé près de la fuite.

Conserver ces instructions.

Notes to Canadian Users of Facsimile Unit

This product meets the applicable Innovation, Science and Economic Development Canada technical specifications.

The Ringer Equivalence Number (REN) indicates the maximum number of devices allowed to be connected to a telephone interface. The termination of an interface may consist of any combination of devices subject only to the requirement that the sum of the RENs of all the devices not exceed five.

Remarques à l'attention des utilisateurs canadiens de l'unité Fax

Le présent produit est conforme aux spécifications techniques applicables d'Innovation, Sciences et Développement économique Canada.

L'indice d'équivalence de la sonnerie (IES) sert à indiquer le nombre maximal de dispositifs qui peuvent être raccordés à une interface téléphonique. La terminaison d'une interface peut consister en une combinaison

quelconque de dispositifs, à la seule condition que la somme des IES de tous les dispositifs n'excède pas cinq.

À lire avant de commencer

1. Informations

2. Symboles de sécurité pour cet appareil

3. Consignes de sécurité

4. Étiquettes de sécurité de cet appareil

5. Autres informations sur cet appareil

Pour obtenir des informations que vous n'auriez pas trouvées dans les manuels papier, veuillez vous reporter aux manuels en ligne disponibles sur notre site web (<http://www.ricoh.com/>).



Veillez lire attentivement ce manuel avant d'utiliser l'appareil et conservez-le à portée de main pour référence ultérieure. Pour une utilisation correcte et en toute sécurité, veillez à bien lire les "Consignes de sécurité" avant d'utiliser l'appareil.



1. Informations

Introduction

Ce manuel contient des informations détaillées sur le fonctionnement de cet appareil et des remarques sur son utilisation. Pour votre sécurité, il est fortement conseillé de lire attentivement le présent manuel avant d'utiliser cet appareil. Conservez-le à portée de main pour pouvoir le consulter rapidement.

Liste de manuels

Nom du manuel	Support pour l'appareil	Support pour notre site web
Guide utilisateur	-	Manuel PDF
À lire avant de commencer	Manuel papier	Manuel PDF
Guide d'installation rapide	Manuel papier	Manuel PDF
Manuel utilisateur	-	Manuel HTML
Guide sécurité	-	Manuel HTML
Manuel d'installation	Manuel PDF	Manuel PDF

Remarque

- Le manuel utilisateur et le manuel d'installation sont disponibles en anglais, allemand, français, italien, espagnol, néerlandais et russe.
- Pour plus de détails sur chacun de ces manuels, consultez le Manuel utilisateur sur notre site Web.

Source d'alimentation

120-127 V, 60 Hz, 9 A

Veillez à raccorder le câble d'alimentation à une source d'alimentation du type décrit ci-dessus.

Avis de non-responsabilité

Dans le cadre prévu par la loi, en aucun cas le fabricant ne peut être tenu responsable de tout dommage pouvant découler de pannes de cet appareil, de pertes de données enregistrées, ou de l'utilisation ou de la non utilisation de ce produit et des manuels utilisateurs fournis avec celui-ci. Assurez-vous d'avoir une copie ou une sauvegarde des données enregistrées sur l'appareil. Il est possible que des documents ou des données soient effacés en raison d'erreurs d'utilisation ou de dysfonctionnements de l'appareil. En aucun cas le fabricant ne pourrait être tenu responsable des documents que vous aurez créés à l'aide de cette appareil ou des résultats des données exécutées par vos soins.










Remarques

Pour des documents de bonne qualité, le fournisseur recommande l'utilisation de son toner.

Le fabricant ne peut être tenu pour responsable des dommages ou frais résultant de l'utilisation de pièces autres que les pièces du fabricant pour vos appareils bureautiques.

2. Symboles de sécurité pour cet appareil

Les significations des symboles de sécurité de cet appareil sont les suivantes :

	Attention
	Attention, surface chaude
	Ne pas toucher
	Ne pas jeter au feu
	Ne pas utiliser d'aspirateur
	À conserver hors de portée des enfants.
	Interdiction
	Signe général indiquant une action obligatoire
	Attention : appareil sensible à l'électricité statique

3. Consignes de sécurité

Sécurité durant l'utilisation

Les symboles importants utilisés dans ce manuel sont les suivants :

⚠ AVERTISSEMENT :

Indique une situation qui peut s'avérer dangereuse et causer des blessures graves, voire mortelles, si les instructions ne sont pas respectées.

⚠ ATTENTION :

Indique une situation qui peut s'avérer dangereuse et causer des blessures superficielles ou des dégâts matériels si les instructions ne sont pas respectées.

Environnements dans lesquels l'appareil peut être utilisé

⚠ AVERTISSEMENT :

- *N'utilisez pas d'aérosols inflammables ou de solvants à proximité de l'appareil. Évitez également de placer ces objets à proximité de l'appareil. Cela risque de provoquer un incendie ou une électrocution.*
- *Ne placez pas de vases, de pots de fleur, de tasses, de produits de toilette, de médicaments, d'objets en métal de petite taille ou de récipients remplis d'eau ou de tout autre liquide, sur l'appareil ou à proximité de celui-ci. Si un liquide se renverse ou si de tels objets ou substances tombent dans l'appareil, cela risque de causer un incendie ou l'électrocution de l'utilisateur.*

⚠ ATTENTION :

- *Éloignez-le de l'humidité et de la poussière. Dans le cas contraire, un incendie ou une décharge électrique peut se produire.*
- *Ne placez pas l'appareil sur une surface instable ou inclinée. S'il tombe, il peut provoquer des blessures.*
- *Ne placez aucun objet lourd sur l'appareil. Si tel est le cas, cela peut faire basculer l'appareil et causer des blessures.*
- *Assurez-vous que la pièce dans laquelle vous utilisez l'appareil est spacieuse et suffisamment aérée. Il est important de bien ventiler la pièce, en particulier si vous utilisez souvent l'appareil.*
- *N'obstruez pas les orifices de ventilation de l'appareil. Vous risquez de provoquer un incendie en raison de la surchauffe des composants internes.*

Manipulation des cordons et fiches d'alimentation

AVERTISSEMENT :

- *N'utilisez pas de source électrique autre que celles qui correspondent aux caractéristiques indiquées dans le présent manuel. Cela risque de provoquer un incendie ou une électrocution.*
- *N'utilisez aucune fréquence différente des caractéristiques indiquées. Cela risque de provoquer un incendie ou une électrocution.*
- *N'utilisez pas d'adaptateurs multiprise. Cela risque de provoquer un incendie ou une électrocution.*
- *N'utilisez pas de rallonges. Cela risque de provoquer un incendie ou une électrocution.*
- *N'utilisez pas de cordons d'alimentation endommagés, rompus ou modifiés. De plus, n'utilisez pas de cordons d'alimentation qui ont été coincés sous des objets lourds, qui ont été tordus ou sur lesquels on a exercé une traction trop forte. Cela risquerait de provoquer un incendie ou une électrocution.*
- *Si le cordon d'alimentation est endommagé et que ses fils sont visibles ou rompus, consultez le SAV pour le remplacer. L'utilisation de cordons d'alimentation endommagés risque de provoquer un incendie ou une électrocution.*

Assurez-vous de débrancher l'appareil de la prise murale au moins une fois par an et de vérifier les points suivants :

- *Il y a des marques de brûlures sur la prise.*
- *Les broches de la prise sont déformées.*

Dans l'une des conditions ci-dessus, n'utilisez pas la prise et consultez votre revendeur ou le SAV. L'utilisation de la prise risque de provoquer un incendie ou une électrocution.

Assurez-vous de déconnecter le cordon d'alimentation de la prise murale au moins une fois par an et de vérifier les points suivants :

- *Les fils internes du cordon d'alimentation sont à nu, cassés, etc.*
- *Le revêtement du cordon d'alimentation présente une fissure ou une bosse.*
- *Lorsque le cordon d'alimentation est courbé, l'alimentation se coupe.*
- *Une partie du cordon d'alimentation devient chaude.*
- *Le cordon d'alimentation est endommagé.*

Dans l'un de ces cas, n'utilisez pas le cordon d'alimentation et consultez votre revendeur ou le SAV. L'utilisation du cordon d'alimentation risque de provoquer un incendie ou une électrocution.

- *Le fait de toucher les broches de la fiche du cordon d'alimentation avec un objet métallique présente un risque d'incendie ou d'électrocution.*

• *Le cordon d'alimentation fourni est destiné uniquement à cet appareil. Ne l'utilisez avec aucun autre appareil. Cela risque de provoquer un incendie ou une électrocution.*

• *Il est dangereux de manipuler la fiche du cordon d'alimentation avec les mains mouillées. Cela risque de provoquer une électrocution.*

• *Pour réduire les risques d'incendie, utilisez un cordon de ligne de télécommunication N°26 AWG ou de section supérieure.*

⚠ ATTENTION

Pour réduire le risque d'incendie, utiliser uniquement des conducteurs de télécommunications 26 AWG ou de section supérieure.

⚠ ATTENTION :

• *Veillez à enfoncer complètement la fiche du cordon d'alimentation dans la prise murale. Des fiches partiellement enfoncées constituent des connexions instables pouvant conduire à une accumulation dangereuse de chaleur.*

• *Si cet appareil n'est pas utilisé pendant une période prolongée, plusieurs jours ou plus, débranchez le cordon d'alimentation de la prise murale.*

• *Lorsque vous débranchez le cordon d'alimentation de la prise murale, tirez toujours sur la fiche et non sur le câble. Tirer sur le cordon peut endommager celui-ci. L'utilisation de cordons d'alimentation endommagés risque de provoquer un incendie ou une électrocution.*

• *Au moins une fois par an, débranchez la prise de la prise murale et nettoyez les broches ainsi que la zone qui les entoure. L'accumulation de poussière sur la prise constitue un risque d'incendie.*

• *Lors de toute opération de maintenance sur l'appareil, débranchez toujours le cordon d'alimentation de la prise murale.*

Manipulation de l'appareil principal

⚠ AVERTISSEMENT :

• *Veillez à placer l'appareil le plus près possible d'une prise murale. Ceci permet de débrancher facilement le cordon d'alimentation en cas d'urgence.*

• *Si l'appareil dégage de la fumée ou des odeurs, ou s'il se comporte de manière inhabituelle, vous devez le mettre immédiatement hors tension. Une fois l'appareil hors tension, veillez à débrancher la fiche du cordon d'alimentation depuis la prise murale. Consultez alors le SAV et indiquez-lui le problème. N'utilisez pas l'appareil. Cela risque de provoquer un incendie ou une électrocution.*

• Si des objets métalliques ou de l'eau ou tout autre liquide pénètrent à l'intérieur de cet appareil, vous devez le mettre immédiatement hors tension en appuyant d'abord sur l'interrupteur de mise en fonction du panneau de commande, puis en appuyant sur l'interrupteur principal. Une fois l'appareil hors tension, veillez à débrancher la fiche du cordon d'alimentation depuis la prise murale. Consultez alors le SAV ou votre commercial et indiquez-lui le problème. N'utilisez pas l'appareil. Cela risque de provoquer un incendie ou une électrocution.

• Quand vous remplacez l'unité de fusion, éteignez l'alimentation de l'imprimante et attendez au moins 30 minutes avant de procéder au remplacement.

• Ne touchez pas cet appareil en cas de foudroiement à proximité. Cela risque de provoquer une électrocution.

• La section suivante fournit des explications relatives aux messages d'avertissement se trouvant sur les sachets en plastique utilisés pour le conditionnement du produit.

- Conservez à tout moment les matériaux en polyéthylène (sachets, etc.) fournis avec cet appareil hors de portée des bébés et enfants en bas âge. Le fait de porter ces matériaux en polyéthylène à la bouche ou au nez peut causer un étouffement.

• La section suivante explique les messages d'avertissement du sac plastique utilisé pour l'emballage du produit.

- Conservez à tout moment les matériaux en polyéthylène (sachets, gants, etc.) fournis avec cet appareil hors de portée des bébés et enfants en bas âge. Le fait de porter ces matériaux en polyéthylène à la bouche ou au nez peut causer un étouffement.

• Si l'appareil bascule, ou si un capot ou une autre pièce se casse, vous devez immédiatement le mettre hors tension. Une fois l'appareil hors tension, veillez à débrancher la fiche du cordon d'alimentation depuis la prise murale. Consultez alors le SAV et indiquez-lui le problème. N'utilisez pas l'appareil. Cela risque de provoquer un incendie ou une électrocution.

⚠ ATTENTION :

• Débranchez le cordon d'alimentation de la prise de courant murale avant de déplacer l'appareil. Lors du déplacement de l'appareil, vous devez vous assurer que le cordon d'alimentation n'est pas endommagé sous l'appareil. Le non-respect de ces consignes de sécurité risque de provoquer un incendie ou une électrocution.

• Si vous devez déplacer l'appareil lorsque l'unité de magasin papier en option est fixée, n'appuyez pas sur la section supérieure de l'unité principale, sous peine de détacher l'unité de magasin papier en option, et de risquer de vous blesser.

• L'appareil pèse environ 41,5 kg (91,5 lb.).

• Lorsque vous déplacez l'appareil, tenez les poignées situées sur les côtés et soulevez-le lentement. Vous pouvez vous blesser si vous soulevez l'imprimante sans précautions ou si vous la faites tomber.

- Avant d'installer ou de supprimer des options, débranchez toujours les cordons d'alimentation de la prise murale et attendez que l'unité principale refroidisse complètement. Le non-respect de ces consignes de sécurité risque de provoquer des brûlures.

- Ne regardez pas directement dans la lampe. Cela risquerait d'endommager vos yeux.

Manipulation de l'intérieur de l'appareil

AVERTISSEMENT :

- Enlevez uniquement les capots ou vis explicitement indiqués dans ce manuel. L'appareil renferme des composants sous haute tension qui constituent un risque de décharge électrique. Prenez contact avec votre technicien ou représentant si l'un des composants internes nécessite une maintenance, un réglage ou une réparation.
- N'essayez pas de démonter ou de modifier cet appareil. Cela risque de provoquer des brûlures et une électrocution.

ATTENTION :

- Si l'intérieur de l'appareil n'est pas nettoyé régulièrement, la poussière peut s'accumuler. L'accumulation de poussière dans l'appareil peut provoquer un incendie ou un dysfonctionnement. Contactez le service commercial ou le service après-vente pour obtenir des informations sur le nettoyage de l'intérieur de l'appareil et sur le coût de cet entretien.
- Certains composants internes de cet appareil peuvent devenir très chauds. Pour cette raison, soyez prudent lorsque vous retirez du papier coincé. Dans le cas contraire, vous pouvez vous brûler.
- Lors du retrait du papier coincé, assurez-vous de ne pas vous coincer les doigts et de ne pas vous blesser.
- Lorsque vous chargez du papier, veillez à ne pas vous coincer les doigts et ne pas vous blesser.
- Pendant le fonctionnement de l'appareil, les rouleaux d'alimentation papier tournent. Un dispositif de sécurité a été installé de sorte que l'appareil puisse être utilisé en toute sécurité. Cependant, veillez à ne pas toucher l'appareil durant le fonctionnement. Dans le cas contraire, vous risquez de vous blesser.

Manipulation des consommables de l'appareil

AVERTISSEMENT :

- Ne brûlez pas le toner (usagé ou neuf) ou les récipients de toner. Vous risqueriez de vous brûler. Le toner s'enflamme au contact d'une flamme nue.

• *Ne stockez pas le toner (usagé ou neuf) ou les récipients de toner près de flammes nues. Vous risqueriez de vous brûler et de provoquer un incendie. Le toner s'enflamme au contact d'une flamme nue.*

• *N'utilisez pas d'aspirateur pour éliminer le toner éparpillé (y compris le toner usagé).
Le toner aspiré peut provoquer un incendie ou une explosion en raison du vacillement du contact électrique à l'intérieur de l'aspirateur.
Toutefois, il est possible d'utiliser un aspirateur antidéflagrant et à l'épreuve des explosions de poussières.
Si le toner est renversé sur le plancher, nettoyez soigneusement le toner déversé à l'aide d'un chiffon humide afin de ne pas l'éparpiller.*

• *La section suivante fournit des explications relatives aux messages d'avertissement se trouvant sur les sachets en plastique utilisés pour le conditionnement du produit.*

- *Conservez à tout moment les matériaux en polyéthylène (sachets, gants, etc.) fournis avec cet appareil hors de portée des bébés et enfants en bas âge. Le fait de porter ces matériaux en polyéthylène à la bouche ou au nez peut causer un étouffement.*

⚠ ATTENTION :

• *Lorsque vous remplacez du toner, une cartouche de toner usagé ou des consommables contenant du toner, assurez-vous que vous ne faites pas d'éclaboussures de toner. Placez les consommables usagés dans un sac après les avoir retirés. Dans le cas de consommables dotés d'un couvercle, assurez-vous que le couvercle est fermé.*

• *N'écrasez ou ne comprimez pas les récipients de toner. Le cas échéant, le toner peut se renverser, salissant vos vêtements, votre peau et le sol, et entraînant éventuellement une ingestion accidentelle.*

• *Stockez le toner (neuf ou usagé), les récipients de toner, ainsi que tout objet ou pièce ayant été en contact avec du toner hors de portée enfants.*

• *En cas d'inhalation de toner usagé ou non, gargarisez avec beaucoup d'eau et allez à l'air frais. Si nécessaire, consultez un médecin.*

• *Si le toner, usagé ou non, atteint vos yeux, rincez immédiatement avec beaucoup d'eau. Si nécessaire, consultez un médecin.*

• *Si vous avalez du toner, usagé ou non, diluez la quantité avalée en buvant beaucoup d'eau. Si nécessaire, consultez un médecin.*

• *Lorsque vous retirez du papier coincé ou remplacez le toner, évitez de mettre du toner (neuf ou usagé) sur vos vêtements. En cas de contact du toner avec vos vêtements, lavez la zone affectée à l'eau froide. L'eau chaude fixe le toner dans le tissu et empêche d'éliminer la tache.*

• *Lorsque vous retirez du papier coincé ou remplacez le toner, évitez de répandre du toner (neuf ou usagé) sur votre peau. En cas de contact du toner avec la peau, lavez abondamment la zone affectée avec de l'eau et du savon.*

• *N'essayez pas d'imprimer sur des feuilles agrafées, du papier d'aluminium, du papier-carbone ou tout type de papier conducteur. Vous risqueriez de provoquer un incendie.*

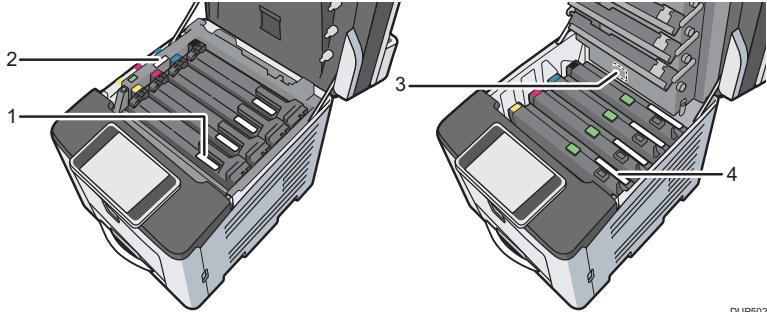
• *Conservez les cartes SD ou clés USB hors de portée des enfants. En cas d'ingestion accidentelle d'une carte SD ou d'une clé USB par un enfant, consultez immédiatement un médecin.*

4. Étiquettes de sécurité de cet appareil

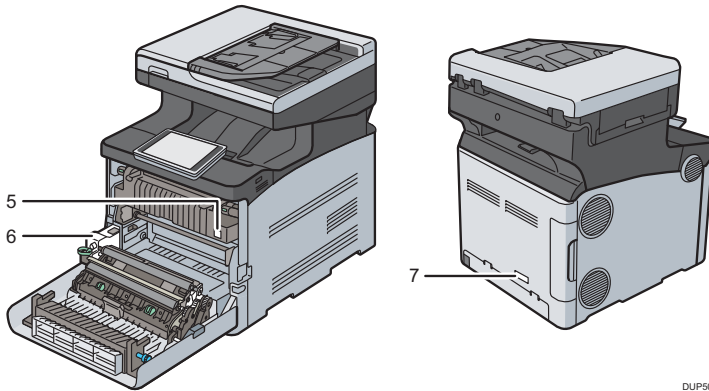
Cette section décrit les étiquettes d'informations de cet appareil relatives à la sécurité.

Emplacements des étiquettes ⚠️ AVERTISSEMENT et ⚠️ ATTENTION

Cet appareil présente des étiquettes ⚠️ AVERTISSEMENT et ⚠️ ATTENTION aux endroits indiqués ci-dessous. Pour une sécurité maximale, veuillez suivre les instructions et manipuler l'appareil comme indiqué.



DUP502



DUP501

1



DSF560

4



DSF324

6



DSF069

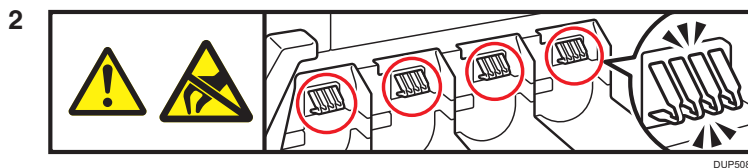
Ne brûlez pas le toner (usagé ou neuf) ou les récipients de toner. Vous risqueriez de vous brûler. Le toner s'enflamme au contact d'une flamme nue. Ne stockez pas le toner, le toner usagé ou les cartouches de toner dans un lieu exposé à une flamme nue. Le toner pourrait s'enflammer et provoquer des brûlures ou un incendie.

La mise au rebut doit s'effectuer chez un distributeur agréé ou dans les lieux de collecte appropriés.

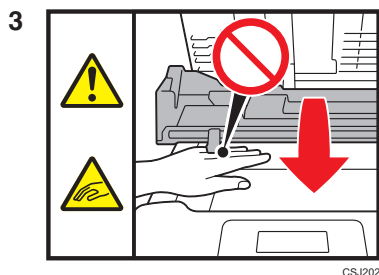
Si vous mettez vous-même au rebut des conteneurs de toner usagés, respectez les règlements locaux.

N'utilisez pas d'aspirateur pour aspirer le toner éparpillé (y compris le toner usagé). Le toner aspiré peut provoquer un incendie ou une explosion en raison du vacillement du contact électrique à l'intérieur de l'aspirateur. Néanmoins, il est possible d'utiliser un aspirateur conçu spécialement pour éviter les explosions de poussière. Si du toner est éparpillé sur le sol, balayez-le lentement et nettoyez ce qui reste avec un chiffon humide.

Stockez le toner (neuf ou usagé), les récipients de toner, ainsi que tout objet ou pièce ayant été en contact avec du toner hors de portée enfants.



Prenez garde de ne pas toucher les terminaux sur la partie identification. Cela pourrait provoquer de l'électricité statique et endommager l'appareil.



Prenez garde de ne pas vous coincer les doigts quand vous ouvrez ou fermez le capot interne.



L'intérieur de l'appareil peut être très chaud. Ne touchez pas les pièces munies d'une étiquette indiquant « surface chaude ». Dans le cas contraire, vous risquez de vous blesser.



L'appareil pèse environ 41,5 kg (91,5 lb.). Lorsque vous déplacez l'appareil, utilisez ses poignées latérales, et soulevez-les lentement en même temps. Si vous laissez tomber l'appareil, vous pourriez l'endommager ou vous blesser.

Symboles du bouton d'alimentation

Les significations des symboles pour les interrupteurs de cet appareil sont les suivantes :

-  : VEILLE

5. Autres informations sur cet appareil

Duplications et impressions interdites

Ne copiez ou n'imprimez pas des documents dont la reproduction est interdite par la loi.

Copier ou imprimer les éléments suivants est en règle générale interdit par les autorités locales :

billets de banques, timbres fiscaux, obligations, certificats d'actions, traites bancaires, chèques, passeports et permis de conduire. La liste précédente est donnée à titre d'exemple et n'est en aucun cas exhaustive. Nous déclinons toute responsabilité en cas de liste incomplète ou inexacte. Si vous avez des questions concernant le droit de copier ou d'imprimer certains éléments, consultez un conseiller juridique.

Remarque à l'attention des utilisateurs aux USA

Règles FCC

Remarque :

Cet équipement a été testé et déclaré conforme aux limites pour un appareil numérique de classe B, conformément aux Règles FCC, partie 15. Ces limites sont conçues pour permettre une protection raisonnable contre les interférences nuisibles dans le cadre d'une installation résidentielle. Cet équipement génère, utilise et peut rayonner de l'énergie radiofréquence et peut engendrer des interférences nuisibles aux communications radio s'il n'est pas installé et utilisé conformément aux instructions. Cependant, il n'existe aucune garantie d'absence totale d'interférences pour une installation en particulier. Si cet équipement cause effectivement des interférences nuisibles à la réception radio ou télévision, chose qui peut être déterminée en éteignant puis allumant l'équipement, il est conseillé à l'utilisateur de supprimer l'interférence en prenant l'une ou plusieurs des mesures suivantes :

- Réorienter ou déplacer l'antenne réceptrice.
- Accroître la distance entre l'équipement et le récepteur.
- Raccorder l'équipement à une prise d'un circuit différent de celui du récepteur.
- Contacter le vendeur ou un technicien radio/TV confirmé.

Attention :

Les changements ou modifications qui n'ont pas été explicitement approuvés par l'organisme responsable de la conformité peuvent annuler la capacité de l'utilisateur à utiliser l'équipement.

Cet émetteur ne doit pas être placé près de ou être utilisé avec une autre antenne ou un autre émetteur.

Tolérance de fréquence : 8,32 ppm

Conformité avec les exigences de la FCC 15.407(c)

La transmission des données est toujours initiée par le logiciel, qui les transmet par le MAC, via la bande de base numérique et analogique, et finalement par la puce RF. Plusieurs paquets spéciaux sont transmis par le MAC. Ce sont les seuls moyens pour qu'une partie de la bande de base numérique active l'émetteur RF, puis désactive celui-ci à la fin du paquet. En conséquence, l'émetteur reste uniquement activé lors de la transmission d'un des paquets susmentionnés. Cela signifie que ce périphérique arrête automatiquement la transmission en cas d'absence d'informations à transmettre ou de problème de fonctionnement.

Cet équipement est conforme aux limites d'exposition aux radiofréquences de la FCC établies pour un environnement non contrôlé et se conforme aux exigences de conformité pour l'exposition aux RF de la FCC. Cet équipement doit être installé et utilisé en mettant le radiateur à une distance d'au moins 20 cm du corps d'une personne (sauf les extrémités : mains, poignets, pieds et chevilles).

Déclaration de conformité

Cet appareil est conforme à la partie 15 des Règles FCC.

L'utilisation est soumise aux deux conditions suivantes :

- (1) Cet appareil ne doit pas causer d'interférences nuisibles.
- (2) Cet appareil doit être prêt à accepter tout brouillage radioélectrique reçu, même si ce brouillage est susceptible de compromettre le fonctionnement du dispositif.

Partie responsable : Ricoh USA, Inc.

Adresse : 70 Valley Stream Parkway Malvern, Pennsylvania 19355, USA

Numéro de téléphone : +1-610-296-8000

Nom de produit : Périphérique multifonction

Numéros du modèle : SP C360SFNw, SP C361SFNw

À l'attention des utilisateurs de l'état de Californie (Remarques à l'attention des utilisateurs aux États-Unis)

Présence de perchlorate - des précautions de manipulation peuvent être nécessaires. Rendez-vous sur : www.dtsc.ca.gov/hazardouswaste/perchlorate

Remarques à l'attention des utilisateurs canadiens d'appareils sans fil

Le présent appareil est conforme aux normes CNR d'Industry Canada applicables aux appareils radio exempts de licence.

L'utilisation est soumise aux deux conditions suivantes :

- (1) l'appareil ne doit pas produire de brouillage, et
- (2) l'utilisateur de l'appareil doit accepter tout brouillage radioélectrique subi, même si le brouillage est susceptible d'en compromettre le fonctionnement.

La bande 5150-5250 GHz doit être limitée à l'utilisation en intérieur uniquement.

High-power radars are allocated as primary users (i.e. priority users) of the bands 5250-5350 MHz and 5650-5850 MHz and these radars could cause interference and/or damage to LE-LAN devices.

Conformité à la norme ISED RSS-247 6.4 a) La transmission des données est toujours initiée par le logiciel, qui les transmet via le MAC et la bande de base numérique et analogique, jusqu'à la puce RF. Plusieurs paquets spéciaux sont transmis par le MAC. Ce sont les seuls moyens pour qu'une partie de la bande de base numérique active l'émetteur RF, puis désactive celui-ci à la fin du paquet. En conséquence, l'émetteur reste uniquement activé lors de la transmission d'un des paquets susmentionnés. Cela signifie que ce périphérique interrompt automatiquement la transmission en cas d'absence d'informations à transmettre ou de problème de fonctionnement.

Cet équipement est conforme aux limites d'exposition aux radiofréquences de l'IC établies pour un environnement non contrôlé et se conforme aux règles d'exposition aux radiofréquences (RF) RSS-102 de l'IC. Cet équipement doit être installé et utilisé en mettant le radiateur à une distance d'au moins 20 cm du corps (à l'exclusion des extrémités : mains, poignets, pieds et chevilles).

La bande 5250-5350 GHz doit être limitée à l'utilisation en intérieur uniquement.

Remarques à l'attention des utilisateurs canadiens d'appareils sans fil

Le présent appareil est conforme aux CNR d'Industrie Canada applicables aux appareils radioélectriques exempts de licence.

L'exploitation est autorisée aux deux conditions suivantes :

- (1) l'appareil ne doit pas produire de brouillage, et
- (2) l'appareil doit accepter tout brouillage radioélectrique subi, même si le brouillage est susceptible d'en compromettre le fonctionnement.

La bande 5150-5250 MHz est restreinte à une utilisation à l'intérieur seulement.

Les radars de haute puissance sont désignés utilisateurs principaux (c.-à-d., qu'ils ont la priorité) pour les bandes 5250-5350 MHz et 5650-5850 MHz, et ces radars pourraient causer du brouillage et/ou des dommages aux dispositifs LAN-EL.

Conformité à la norme CNR-247 6.4 a) La transmission des données est toujours initiée par le logiciel, puis les données sont transmises par l'intermédiaire du MAC, par la bande de base numérique et analogique et, enfin, à la puce RF. Plusieurs paquets spéciaux sont transmis par le MAC. Ce sont les seuls moyens pour qu'une partie de la bande de base numérique active l'émetteur RF, puis désactive celui-ci à la fin du paquet. En conséquence, l'émetteur reste uniquement activé lors de la transmission d'un des paquets susmentionnés. En d'autres termes, ce dispositif interrompt automatiquement toute transmission en cas d'absence d'information à transmettre ou de défaillance.

Cet équipement est conforme aux limites d'exposition aux rayonnements énoncées pour un environnement non contrôlé et respecte les règles d'exposition aux fréquences radioélectriques (RF)

CNR-102 de l'IC. Cet équipement doit être installé et utilisé en gardant une distance de 20 cm ou plus entre le dispositif rayonnant et le corps (à l'exception des extrémités : mains, poignets, pieds et chevilles).

La bande 5250-5350 MHz est restreinte à une utilisation à l'intérieur seulement.

Remarques relatives à la fonction sans fil

Le produit utilise une plage de fréquence de 2,4 GHz pour communiquer. Les communications utilisant des ondes radios sont susceptibles d'être interrompues par les bruits ou les interférences. Si vous souhaitez utiliser ce produit pour une communication externe, veuillez noter que des défaillances de communication sont susceptibles de se produire.

★ Important

- Le démontage ou la modification de ce produit sont interdits par la loi. L'entreprise ne peut être tenue pour responsable des modifications illégales qui auront été effectuées sur le module sans fil de ce produit.
- L'entreprise rejette toute responsabilité pour les pertes financières, telles que les dégâts dus à des défaillances de communication, provoquées par des défaillances, des dysfonctionnements ou des défauts des fonctions LAN et Bluetooth, ou encore issues de l'environnement de fonctionnement, d'échecs de communication, de coupures de courant ou dues à d'autres facteurs externes.
- Aucune mesure pour empêcher ou bloquer la manipulation des données n'est disponible pour les dispositifs qui utilisent des ondes radios pour leurs communications. L'entreprise rejette toute responsabilité concernant les problèmes de sécurité dus aux caractéristiques des fonctions LAN sans fil et Bluetooth ou à d'autres conditions.

↓ Remarque

- La plage de fréquences utilisée par ce produit peut également être utilisée par d'autres produits (dispositifs industriels, scientifiques ou médicaux) fabriqués par d'autres sociétés. L'utilisation des appareils sans fil à l'extérieur peut être limitée. Veuillez prêter attention à l'endroit où vous utilisez cette fonction.
- Pour exporter ce produit, veuillez vous conformer à la législation relative aux devises et aux échanges commerciaux, aux réglementations de l'administration des exportations, ainsi qu'aux autres lois et réglementations associées, et veuillez respecter les procédures qu'elles spécifient.
- Le SSID de la fonction LAN sans fil n'est pas configuré comme un paramètre par défaut. Si vous souhaitez utiliser le SSID, vous devez configurer les paramètres SSID vous-même.
- Certaines applications de ce produit utilisent la fonction sans fil. Selon l'environnement dans lequel vous utilisez la fonction sans fil, il est possible que la communication soit interrompue en raison des interférences des ondes radio.
- Les fréquences utilisables de la fonction LAN sans fil varient en fonction du point d'accès que vous utilisez.
- Par défaut en sortie d'usine, la fonction LAN sans fil est désactivée. Pour utiliser les applications de ce produit qui ont recours à la fonction LAN sans fil, vous devez activer la fonction LAN sans fil.
- Par défaut, la fonction Bluetooth est désactivée. Pour utiliser les applications de ce produit qui utilisent la fonction Bluetooth, vous devez activer la fonction Bluetooth.
- Le fonctionnement de l'unité Bluetooth n'est pas garanti avec tous les périphériques pris en charge.

Marques

La marque et les logos Bluetooth® sont des marques déposées détenues par Bluetooth SIG, Inc. et toute utilisation de ces marques par Ricoh Company, Ltd. est soumise à une licence.

- À l'attention du SAV, (dans le cas d'une installation par le SAV uniquement) :
Veuillez transmettre ce document à l'utilisateur lorsque l'installation de ce produit est terminée.
-

Partie 68 des règles FCC concernant l'unité Fax

1. Cet appareil est conforme à la partie 68 des règles FCC et des exigences adoptées par l'ACTA. Le capot de cet appareil comporte une étiquette où se trouve, entre autres informations, un identifiant produit au format US : AAAEQ##TXXXXX. S'il est demandé, vous devez donner ce numéro à votre opérateur téléphonique.

2. Cet équipement utilise le connecteur RJ11C USOC.

3. La prise et le connecteur utilisés pour la connexion de l'équipement au réseau de câbles et de téléphone des locaux doivent être conformes aux règles applicables de la partie 68 de la FCC et aux exigences adoptées par l'ACTA. Un câble téléphonique et une prise modulaire conformes sont fournis avec ce produit. Ils sont conçus pour être connectés à un connecteur modulaire compatible, lui-même conforme. Reportez-vous aux instructions d'installation pour plus de détails.

4. Le REN est utilisé pour déterminer le nombre d'appareils pouvant être connectés à une ligne téléphonique. S'il y a trop de REN sur une ligne téléphonique, il est possible que les appareils ne sonnent pas pour un appel entrant. Dans la plupart des zones (mais pas dans toutes les zones), la somme des REN ne doit pas être supérieure à cinq (5,0). Pour vous assurer du nombre de périphériques pouvant être connectés à une ligne (déterminé par le nombre total de REN), veuillez contacter l'opérateur téléphonique local. Le REN pour ce produit fait partie de l'identifiant produit au format US : AAAEQ##TXXXXX. Les chiffres représentés par ## correspondent au REN sans la décimale (ex : 03 est un REN de 0,3).

5. Si cet équipement cause des dommages au réseau téléphonique, l'opérateur vous préviendra à l'avance qu'une interruption temporaire du service est requise. Mais si la notification préalable n'est pas réalisable, l'opérateur préviendra le client dès que possible. De la même manière, vous serez informé de votre droit de déposer une plainte auprès de la FCC si vous pensez que cela est nécessaire.

6. Il est possible que l'opérateur téléphonique réalise des modifications sur ses équipements, ses opérations ou ses procédures pouvant affecter le fonctionnement de cet appareil. Le cas échéant, l'opérateur vous préviendra à l'avance afin de vous permettre de réaliser les modifications nécessaires à la continuité du service.

7. Si vous rencontrez des problèmes avec cet appareil, veuillez contacter le SAV de Ricoh USA, Inc. Customer Support Department au 1-800-FASTFIX pour obtenir des informations sur la réparation et la garantie. Si cet appareil est la source de problèmes sur votre réseau téléphonique, il est possible que votre opérateur vous demande de le débrancher jusqu'à ce que le problème soit résolu.

8. Dans le cas de problèmes de fonctionnement (incident papier, indication d'erreur de communication), reportez-vous au manuel fourni avec l'appareil pour obtenir des instructions sur la résolution des problèmes.

9. La connexion à un service de ligne partagée est sujette à des tarifs d'état. Veuillez contacter la commission du service public de l'état ou la commission de la société pour plus d'information.

10. Si votre domicile comporte un dispositif d'alarme connecté à la ligne téléphonique, assurez-vous que l'installation de cet appareil ne désactive pas cette alarme. Si vous avez des questions sur ce qui est susceptible de désactiver votre dispositif d'alarme, veuillez consulter votre opérateur téléphonique ou un installateur qualifié.

LORS DE LA PROGRAMMATION DE NUMÉROS D'URGENCE ET /OU LORS DES APPELS TESTS AUX NUMÉROS D'URGENCE :

1. Restez en ligne et expliquez brièvement au répartiteur la raison de votre appel avant de raccrocher.
2. Procédez à ces opérations lors des heures creuses, par exemple très tôt le matin ou tard le soir.

Le Telephone Consumer Protection Act de 1991 définit comme illégal le fait qu'une personne utilise un ordinateur ou tout autre appareil électronique, y compris les fax, pour envoyer un message à moins que ce message contienne dans une marge en haut ou en bas de chaque page transmise ou sur la première page de la transmission la date et l'heure à laquelle il a été envoyé, l'identité de l'entreprise, organisme ou personne envoyant ce message, ainsi que le numéro de téléphone de l'appareil émetteur, de l'entreprise, de l'organisme ou de la personne. (Le numéro de téléphone fourni ne peut pas être un numéro 900 ou tout autre numéro pouvant entraîner une tarification supérieure à la tarification locale ou des frais de transmission longue distance).

Pour programmer ces informations dans votre fax, vous devez exécuter les étapes suivantes : Suivez la procédure de programmation de l'en-tête de fax dans le chapitre Programmation du manuel utilisateur afin de saisir l'identifiant de l'entreprise et le numéro de fax du terminal ou de l'entreprise. Ces informations sont transmises avec votre document par la fonction En-tête de fax. En plus de ces informations, assurez-vous de bien programmer la date et l'heure sur votre appareil.

Important Safety Instructions for Facsimile Unit

When using your telephone equipment, basic safety precautions should always be followed to reduce the risk of fire, electric shock and injury to persons, including the following:

- Do not use this product near water, for example, near a bath tub, wash bowl, kitchen sink or laundry tub, in a wet basement or near a swimming pool.
- Avoid using a telephone during an electrical storm. There may be a remote risk of electric shock from lightning.
- Do not use a telephone in the vicinity of a gas leak to report the leak.

Save these instructions.

Mesures de sécurité importantes pour l'unité Fax

Certaines mesures de sécurité doivent être prises pendant l'utilisation de matériel téléphonique afin de réduire les risques d'incendie, d'électrocution et de blessures. En voici quelques-unes :

- N'utilisez pas ce produit à proximité de l'eau, par exemple près d'une baignoire, d'un lavabo, d'un évier ou d'une cuve de lessivage, dans un sous-sol humide ou près d'une piscine.
- Évitez d'utiliser le téléphone (sauf s'il s'agit d'un appareil sans fil) pendant un orage électrique. Ceci peut présenter un risque de choc électrique causé par la foudre.
- N'utilisez pas d'appareil téléphonique pour signaler une fuite de gaz s'il est situé près de la fuite.

Conservez ces instructions.

Notes to Canadian Users of Facsimile Unit

This product meets the applicable Innovation, Science and Economic Development Canada technical specifications.

The Ringer Equivalence Number (REN) indicates the maximum number of devices allowed to be connected to a telephone interface . The termination of an interface may consist of any combination of devices subject only to the requirement that the sum of the RENs of all the devices not exceed five .

Remarques à l'attention des utilisateurs canadiens de l'unité Fax

Le présent produit est conforme aux spécifications techniques applicables d'Innovation, Sciences et Développement économique Canada.

L'indice d'équivalence de la sonnerie (IES) sert à indiquer le nombre maximal de dispositifs qui peuvent être raccordés à une interface téléphonique. La terminaison d'une interface peut consister en une combinaison quelconque de dispositifs, à la seule condition que la somme des IES de tous les dispositifs n'excède pas cinq.



EN **US**

ES **ES**

PT **BR**

FR **FR**

D0A0-7703A