

# Aspire E1-572 / E1-570 / E1-532 / E1-530

## Quick Guide

### Product registration

When using your product for the first time, it is recommended that you immediately register it. This will give you access to some useful benefits, such as:

- Faster service from our trained representatives.
  - Membership in the Acer community: receive promotions and participate in customer surveys.
  - The latest news from Acer.
- Hurry and register, as other advantages await you!

### How to register

To register your Acer product, please visit **www.acer.com**. Select your country, click **PRODUCT REGISTRATION** and follow the simple instructions.

You will also be asked to register your product during the setup process, or you can double-click the Registration icon on the desktop.

After we receive your product registration, you will be sent a confirmation email with important data that you should keep in a safe place.

### Obtaining Acer accessories

We are happy to inform you that Acer's warranty extension program and Notebook accessories are available online. Come and visit our online shop and find what you need at **store.acer.com**.

The Acer store is being progressively rolled out, and, unfortunately may not be available in some regions. Please check back regularly to see when it will be available in your country.

© 2013. All Rights Reserved.

Aspire E1-572 / E1-570 / E1-532 / E1-530 Quick Guide  
This revision: 06/2013

Model number:

Serial number:

Date of purchase:

Place of purchase:

## **ENVIRONMENT**

### **Temperature:**

- Operating: 5 °C to 35 °C
- Non-operating: -20 °C to 65 °C

### **Humidity (non-condensing):**

- Operating: 20% to 80%
- Non-operating: 20% to 80%

## First things first

We would like to thank you for making an Acer notebook your choice for meeting your mobile computing needs.

### Your guides

To help you use your Acer notebook, we have designed a set of guides:

First off, the **Setup Poster** helps you get started with setting up your computer.

The **Quick Guide** introduces you to the basic features and functions of your new computer.

For more on how your computer can help you to be more productive, please refer to the **User's Manual**. The **User's Manual** contains useful information applying to your new computer. It covers basic topics such as using the keyboard and audio, etc.

This guide contains detailed information on such subjects as system utilities, data recovery, expansion options and troubleshooting. In addition it contains warranty information and the general regulations and safety notices for your notebook.

Follow these steps to access it:


- 1 Type 'User' from *Start*.
- 2 Click on **Acer User's Manual**.





## Your Acer notebook tour

After setting up your computer as illustrated in the setup poster, let us show you around your new Acer computer.

### Screen view




| # | Icon  | Item           | Description   |
|---|---|----------------|---|
| 1 |   | Webcam         | Web camera for video communication.<br><i>A light next to the webcam indicates that the webcam is active.</i> |
| 2 |   | Screen         | Displays computer output.   |
| 3 |   | Microphone     | Internal microphone for sound recording.  |
| 4 |  | SD card reader | Accepts one Secure Digital (SD or SDHC) card.<br><b>Note:</b> <i>Push to remove/install the card.</i>         |

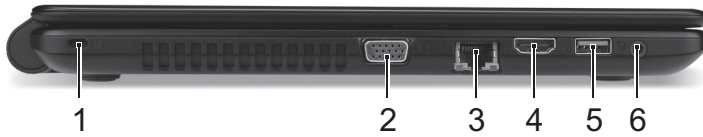
| # | Icon  | Item                    | Description   |
|---|---|-------------------------|---|
|   |  | Power indicator         | Indicates the computer's power status.  |
| 5 |  | Battery indicator       | Indicates the computer's battery status.<br><b>Charging:</b> The light is amber when the battery is charging.<br><b>Fully charged:</b> The light is blue when plugged in. |
|   |  | HDD indicator           | Indicates when the hard disk drive is active.   |
|   |  | Communication indicator | Indicates the computer's wireless connectivity device status.   |


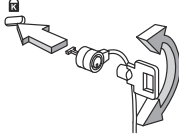





## Keyboard view



| # | Icon  | Item                           | Description   |
|---|---|--------------------------------|---|
| 1 |  | Power button                   | Turns the computer on and off.  |
| 2 |   | Keyboard                       | For entering data into your computer.<br>See "Using the keyboard" on page 8.        |
| 3 |   | Touchpad                       | Touch-sensitive pointing device which functions like a computer mouse.              |
| 4 |   | Click buttons (left and right) | The left and right side of the button function as left and right selection buttons. |

## Left view



| # | Icon  | Item  | Description   |
|---|---|---|---|
| 1 |  | Kensington lock slot<br> | Connects to a Kensington-compatible computer security lock.<br><i>Wrap the computer security lock cable around an immovable object such as a table or handle of a locked drawer. Insert the lock into the notch and turn the key to secure the lock.</i><br><i>Keyless models are also available.</i> |
| 2 |  | External display (VGA) port   | Connects to a display device (e.g., external monitor, LCD projector).   |
| 3 |  | Ethernet (RJ-45) port   | Connects to an Ethernet 10/100/1000-based network.  |
| 4 |  | HDMI port   | Supports high-definition digital video connections.   |
| 5 |  | USB port  | Connects to USB devices.  |
| 6 |  | Headset/speaker jack  | Connects to audio devices (e.g., speakers, headphones) or a headset with microphone.  |



### Information on USB 3.0

- USB 3.0 compatible ports are blue.
- Compatible with USB 3.0 and earlier devices.
- For optimal performance, use USB 3.0-certified devices.
- Defined by the USB 3.0 specification (SuperSpeed USB).

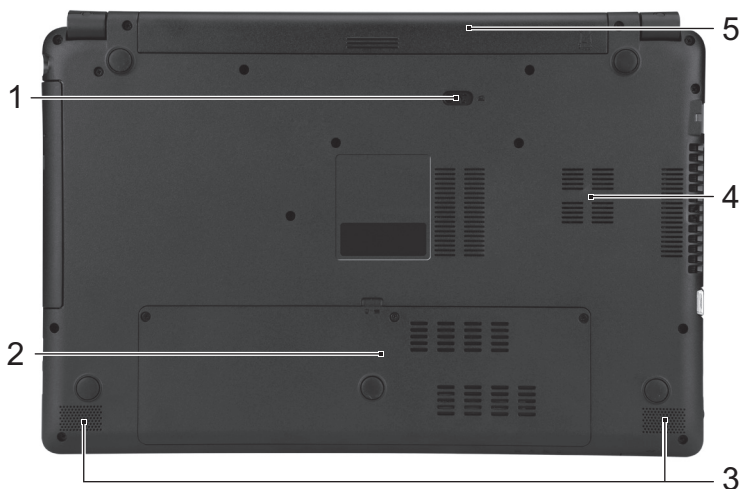
## Right view




**Note:** Depending on configuration, your system may not be equipped with an optical (CD/DVD) drive.



| # | Icon  | Item                          | Description  |
|---|---|-------------------------------|--|
| 1 |  | USB ports                     | Connect to USB devices.  |
| 2 |   | Optical drive                 | Internal optical drive; accepts CDs or DVDs.   |
| 3 |   | Optical disk access indicator | Lights up when the optical drive is active.  |
| 4 |   | Optical drive eject button    | Ejects the optical disk from the drive.  |
| 5 |   | Emergency eject hole          | Ejects the optical drive tray when the computer is turned off.<br><i>Carefully insert a straightened paper clip to eject the optical drive tray.</i> |
| 6 |  | DC-in jack                    | Connects to an AC adapter.   |

## Base view



| # | Icon  | Item                        | Description  |
|---|---|-----------------------------|--|
| 1 |  | Battery release latch       | Releases the battery for removal. Insert a suitable tool and slide to release.     |
| 2 |  | Memory compartment          | Houses the computer's main memory.   |
|   |  | HDD compartment             | Houses the computer's hard disk drive memory.                                      |
| 3 |   | Speakers                    | Deliver stereo audio output.   |
| 4 |   | Ventilation and cooling fan | Allows the computer to stay cool.<br><i>Do not cover or obstruct the openings.</i> |
| 5 |   | Battery bay                 | Houses the computer's battery pack.  |

**Note:** For models with an AMD processor and a single memory module: If you replace the memory module, the new module must go into the same slot occupied by the module that was removed.

## Using the keyboard















The keyboard has full-sized keys and a numeric keypad, separate cursor, lock, Windows, function and special keys.



## Hotkeys

The computer employs hotkeys or key combinations to access most of the computer's controls like screen brightness and volume output.

To activate hotkeys, press and hold the <Fn> key before pressing the other key in the hotkey combination.

| Hotkey         | Icon  | Function        | Description   |
|----------------|---|-----------------|---|
| <Fn> + <F3>    |    | Airplane mode   | Turns on / off the computer's network devices.<br>( <i>Network devices vary by configuration.</i> ) |
| <Fn> + <F4>    |    | Sleep           | Puts the computer in Sleep mode.  |
| <Fn> + <F5>    |    | Display toggle  | Switches display output between the display screen, external monitor (if connected) and both.       |
| <Fn> + <F6>    |    | Display off     | Turns the display screen backlight off to save power. Press any key to return.                      |
| <Fn> + <F7>    |    | Touchpad toggle | Turns the built-in touchpad on and off.   |
| <Fn> + <F8>    |    | Speaker toggle  | Turns the speakers on and off.  |
| <Fn> + <F12>   | Scr Lk  | Scroll Lock     | Turns Scroll Lock on or off.  |
| <Fn> + <▷>     |    | Brightness up   | Increases the screen brightness.  |
| <Fn> + <◁>     |   | Brightness down | Decreases the screen brightness.  |
| <Fn> + <△>     |  | Volume up       | Increases the sound volume.   |
| <Fn> + <▽>     |  | Volume down     | Decreases the sound volume.   |
| <Fn> + <Home>  |  | Play/Pause      | Play or pause a selected media file.  |
| <Fn> + <Pg Up> |  | Stop            | Stop playing the selected media file.   |
| <Fn> + <Pg Dn> |  | Previous        | Return to the previous media file.  |
| <Fn> + <End>   |  | Next            | Jump to the next media file.  |